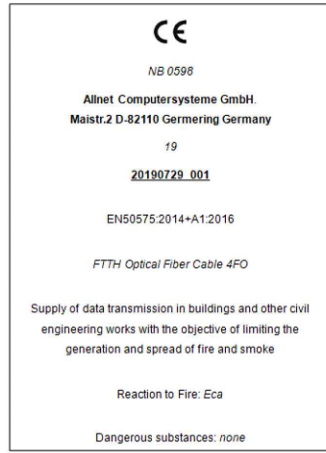


Colored Coating Fiber: 250um±15um
 Inner Jacket: black
 Polyester yarn
 Outer Jacket: White (RAL9001) 2.2mm±0.2mm



Tension (Short Term)	120N, no change in attenuation after the test, no sheath damage
Tension (Long Term)	60N, no change in attenuation
Crush (Short Term)	500N/100mm, no fiber breakage, no sheath damage
Crush (Long Term)	100N/100mm, no change in attenuation

ITEM NO.	LENGTH	FIBER	Color
S215576V2. 20m	20M	G657. A2	White
S215576V2. 40m	40M	G657. A2	White
S215576V2. 60m	60M	G657. A2	White

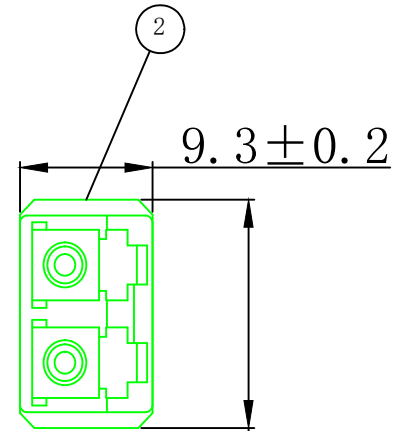
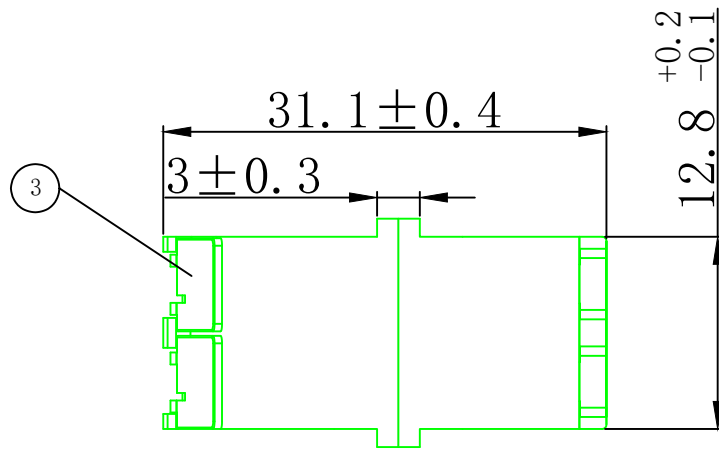
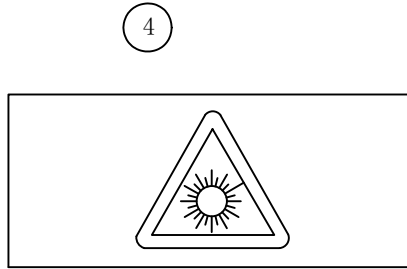
Note:
 1. Grade Designation: Each to Reference
 2. ROHS 3.0 and REACH Compliant
 3. Bending insensitive fiber

Type	Single-Mode
Insertion Loss	≤ 0.30dB
Return Loss	≥ 60dB
Test Wavelength	1310nm

⑪	0.9 Tube Hytrel Color:Red	440mm	
⑩	0.9 Tube Hytrel Color:Blue	440mm	
⑨	0.9 Tube Hytrel Color:Green	530mm	
⑧	0.9 Tube Hytrel Color:Yellow	530mm	
⑦	Heat Shrink Tubing	1	
⑥	Fanout Heat Shrink Tubing	1	
⑤	FIBER OPTICAL CABLE G657.A2 4C 250um Yellow Green Blue Red with KEVLAR Jacket LSZH OD: 2.2mm Color:White Printing: FIBER OPTICAL CABLE 4FO SM 9/125um G657.A2 LSZH HT CPR Eca MM/YYYY XXXXm	Xm	
④	LC White Dust Cap	4	
③	LC/APC 8° Ferrule	4	
②	LC SM 0.9 Green Connector	4	
①	LC 0.9mm Green Boot	4	

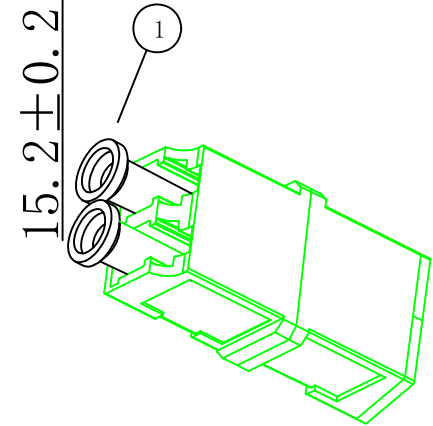
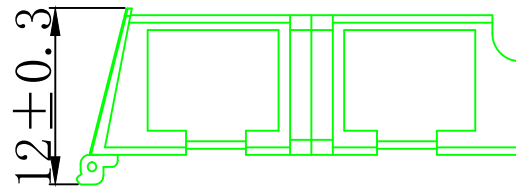
NO	SPECIFICATION STANDARD	QT'Y	REMARK
----	------------------------	------	--------

SYNERGY21							
CUSTOMER	AN		ITEM NO.	see the chart			
PRODUCT NAME	4 cores LC/APC 8° fiber cable		Manufacture country	CHINA	UNIT	mm	
DATE	2022-07-25	REV.	A	DRAWNBY	CHECKBY	APPOBY	DATE
BY	CHK	REVISION RECORD MODIFICATIONS	DATE	SYNERGY21	SYNERGY21	SYNERGY21	2022-07-25



NOTE:
ROHS 3.0 & Reach COMPLIANT

Typical Insertion Loss (dB)	≤0.12
Insertion Loss (dB)	≤0.20
Operating Temperature (° C)	-40 ~ +80
Storage Temperature (° C)	-40 ~ +85



MATERIAL LIST:

④	Note that the laser label (Red Blue Green Yellow)	2pcs	
③	White Dust Cap	2pcs	
②	LC Green Housing (SC simplex footprint)	1pcs	
①	LC White Dust Cap	2pcs	
NO.	SPECIFICATION STANDARD	QT' Y	REMARK

SYNERGY21					
CUSTOMER	AN	ITEM NO.	See the chart		
PRODUCT NAME	LC/APC Green (Ceramic) Duplex Adapter (With External Laser Protection Shutter) w/o Flange	Manufacture country	CHINA	UNIT	mm
DRAWNBY	CHECKBY	APPOBY	DATE		
SYNERGY21	SYNERGY21	SYNERGY21	2022-07-25		

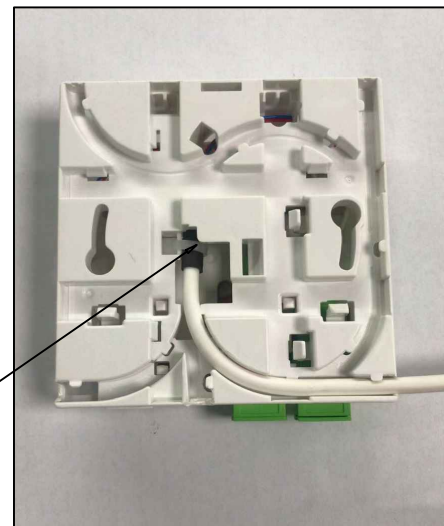
NEW		2022-07-25	A
BY	CHK	REVISION RECORD MODIFICATIONS	DATE

Red Blue Green Yellow

Adapter label



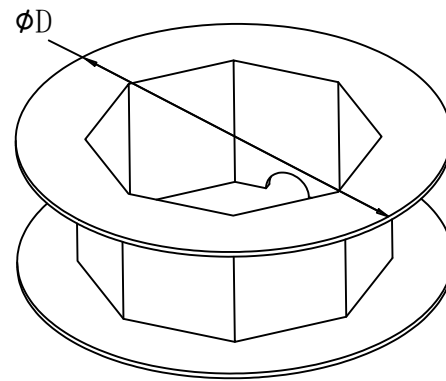
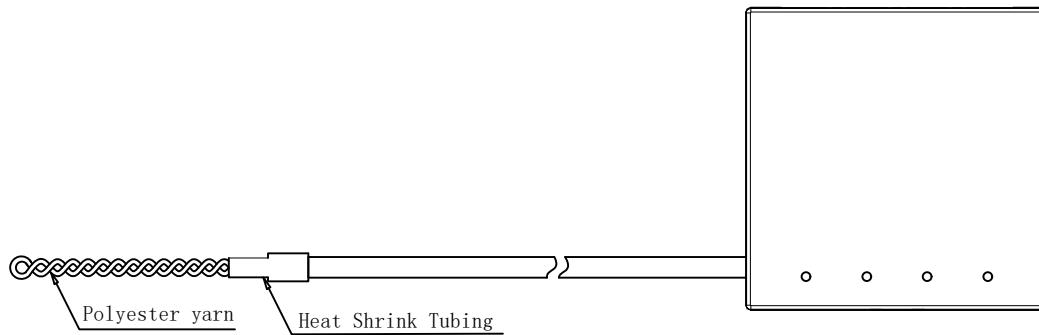
One lap



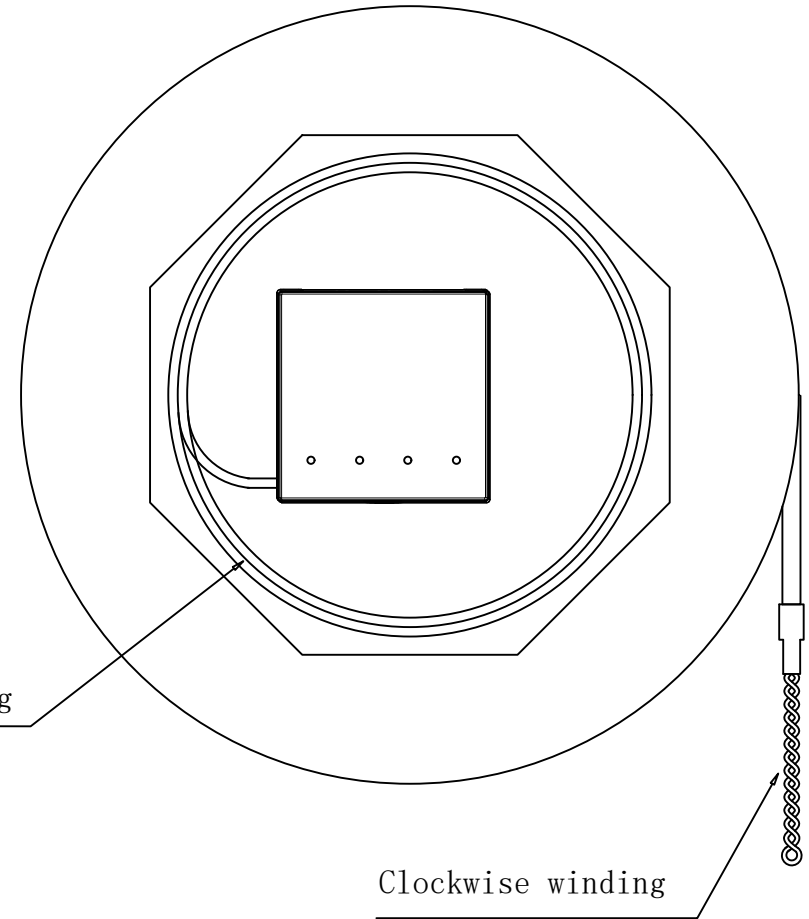
Cable tie

										SYNERGY21		
				CUSTOMER	AN		ITEM NO.	see the chart				
				PRODUCT NAME	Assemble			Manufacture country	CHINA	UNIT	mm	
				NEW	2022-07-25	A	DRAWNBY	CHECKBY	APPOBY	DATE		
BY	CHK	REVISION RECORD MODIFICATIONS			DATE	REV.	SYNERGY21	SYNERGY21	SYNERGY21	2022-07-25		

End-product drawing



Paper shaft



SYNERGY21									
CUSTOMER		AN		ITEM NO.		See the chart			
PRODUCT NAME		Assemble			Manufacture country		CHINA	UNIT	mm
NEW				2022-07-25	A	DRAWNBY	CHECKBY	APPOBY	DATE
BY	CHK	REVISION RECORD MODIFICATIONS			DATE	REV.	SYNERGY21	SYNERGY21	SYNERGY21
							2022-07-25		

