

NOTES:

ELECTRICAL:

1. Contact Resistance : 20MΩ MAX
2. Insulation Resistance : 500MΩ MIN @ 500V DC
3. Withstand Voltage : DC 1000V AC 700V RMS 60Hz, 1MIN
4. Component testing for Cat. 6A to ISO/IEC 11801 Ed. 2.2:2011-06
DIN EN 50173-1:2011-09
TIA/EIA-568-C. 2 (2009-08)

ENVIRONMENTAL:

1. Storage : -40° TO+70°
2. Operation : -10° to+60°

MECHANICAL

1. RJ45 Contact Life: 750 Times Min
2. Plug inforce:<30N

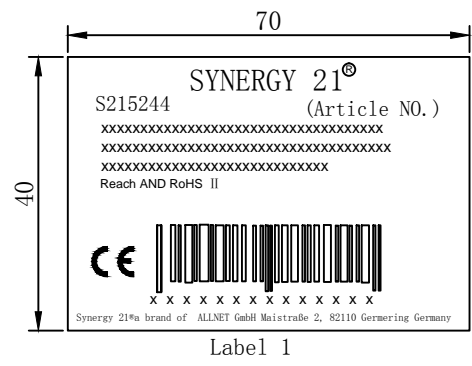
RoHS 2.0 and REACH Compliant

1PCS/PE bag+lable1,500pcs/CTN+lable 1

MATERIAL LIST:

③	PCB	FR-4 UL94V0	1	
②	RJ 45 jack	8P8C 3U" Gold Plated Nickel Plated brass t=0.2mm	2	
①	Housing	ABS / Metallized	1	
NO	PARTS NAME	SPECIFICATION STANDARD	QT' Y	REMARK
		UPDATE PACKING TYPE	2018-03-20	A1
		NEW	2017-05-02	A
BY	CHK	REVISION RECORD MODIFICATIONS	DATE	REV.

SYNERGY 21									
CUSTOMER		ITEM NO.		S215244					
PRODUCT NAME	Cat. 6A STP 500MHz RJ45 Socket to RJ45 Socket Inline Coupler			MANUFACTURE COUNTRY:	CHINA	UNIT	MM		
DRAWNBY		CHECKBY		APPOBY		DATE			
SYNERGY 21		SYNERGY 21		SYNERGY 21		2018-03-20			



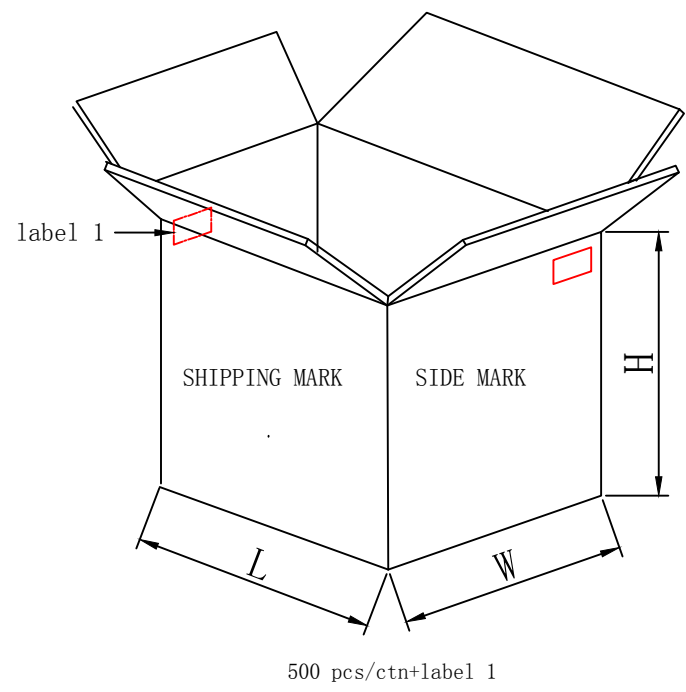
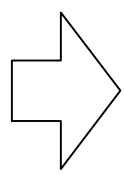
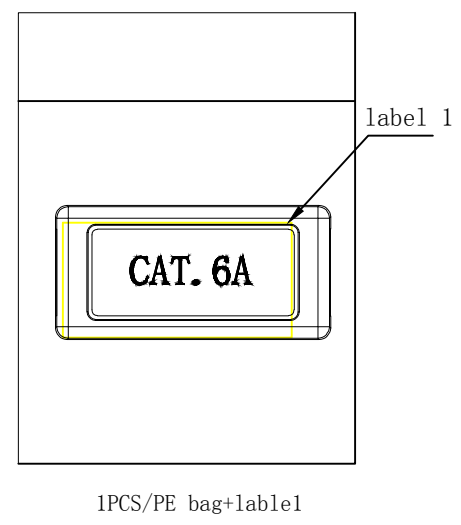
SHIPPING MARK



PO NO. :
REACH and ROHS 2.0 Compliant
MADE IN CHINA

SIDE MARK

PO NO. :
Item no:
Q' TY:
N. W
G. W
Carton no.
MEAS.



- NOTE:
1. Packing 1PCS/PE bag+label 1, 500pcs/CTN+LABEL 1
 2. “工” type sealing
 3. “井” type packaging

										SYNERGY 21			
						CUSTOMER			ITEM NO.	S215244			
		UPDATE PACKING TYPE			2018-03-20	A1	PRODUCT NAME	PACKING	manufacture country:	CHINA	UNIT	MM	
		NEW			2014-09-24	A	DRAWNBY		CHECKBY		APPOBY	DATE	
BY	CHK	REVISION RECORD MODIFICATIONS			DATE	REV.	SYNERGY 21	SYNERGY 21	SYNERGY 21	SYNERGY 21	2018-03-20		