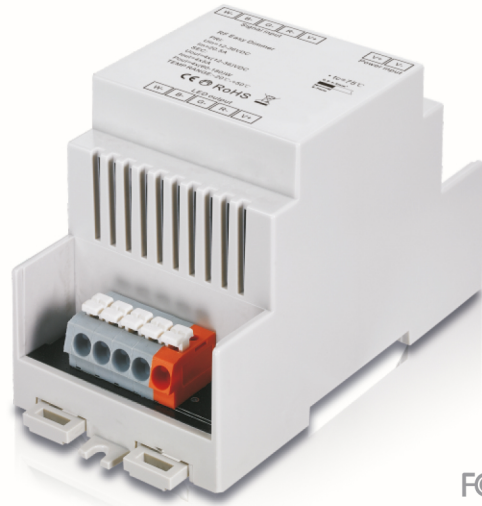


Power Repeater / Amplifier

138264



Feature

- Repeater dimming signal
- One channel/three channel/four channel optional
- Constant voltage
- To receive PWM signal control
- Power repeater in series to expand output unlimitedly

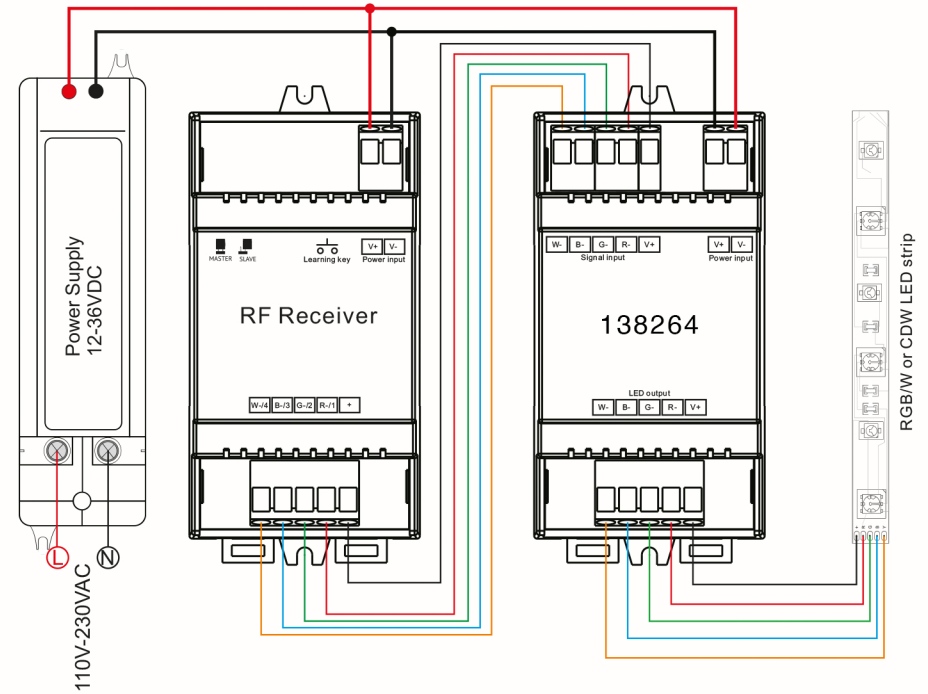
Parameter

Part No.	INPUT	CURRENT	OUTPUT	DIMENSIONS ø/h (mm)
138264	12-36VDC	3/4x5A	3/4x(60-180)W	105.5x53x65

Product Size



Wiring diagram



Operation Manual

LED power repeater is suitable for all of our single color & RGB controllers to expand power output, it supports PWM control and can connect one to three times more LEDs by adding one more power repeater, and unlimited power repeaters can be connected together theoretically.

The constant voltage power repeater and constant current power repeaters can be connected together, which is convenient for controlling LEDs with different voltage and power.

Safety & Warnings

- 1) The product shall be installed and serviced by a qualified person.
- 2) IP20. Please avoid the sun and rain. When installed outdoors, please ensure it is mounted in a water proof enclosure.
- 3) Always be sure to mount this unit in an area with proper ventilation to avoid overheating.
- 4) Please check if the output voltage of any LED power supplies used comply with the working voltage of the product.
- 5) Never connect any cables while power is on and always assure correct connections to avoid short circuits before switching on.
- 6) Please ensure that the cable is secured tightly in the connector
- 7) For update information please consult your supplier.

Warranty Agreement

1) We provide lifelong technical assistance with this product:

- 5-year warranty. We print date on every products, for example :1125 means year 2011, week 25. The warranty is for free repair or replacement and covers manufacturing faults only.

- For faults beyond the 3-year warranty we reserve the right to charge for time and parts.

2) Limited Warranty

- Any defects caused by wrong operation.

- Any damages caused by unauthorized removal, maintenance, modifying, incorrect connection and replacement of chips.

- Any damages due to transportation, vibration etc. after purchase.

- Any damages caused by earthquake, fire, lightning, pollution and abnormal voltage.

- Any damages caused by negligence, inappropriate storing at high temperatures and humidity or near harmful chemicals.

- Product has been updated

3) Repair or replacement as provided under this warranty is the exclusive remedy to the customer.