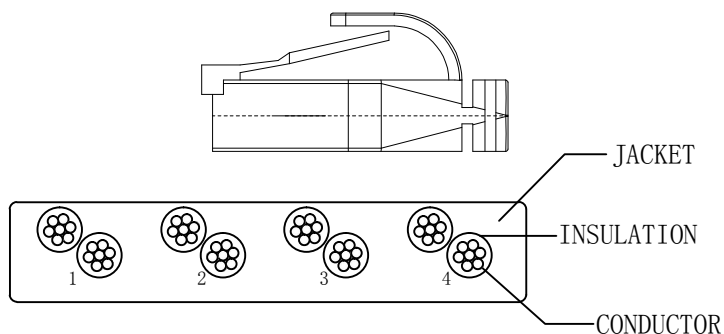
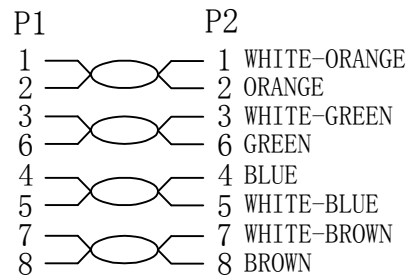


WIRING DIAGRAM



MATERIAL LIST

⑥	LABEL	NO DRY GLUE LABEL	1	
⑤	MINI TIE	PE MINI TIE(POSSESS METAL)	2	
④	BAG	SYNERGY 21 SLIP PE BAG	1	
③	OVER MOLD	PVC SEE THE CHART	2	
②	CONNECTOR	RJ45 8P8C Unshielded Plug, Pin Gold Plated 3u", Transparent blue	2	
①	CABLE	U/UTP CAT. 6 32AWG (7/0.08BC*1P)*4PAIRS JACKET:PVC OD:T=2.0±0.2mm W=6.0±0.2MM	1	

NOTE:

1. 100% OPEN SHORT, MISS WIRE TEST
2. Fluke channel test
- Test limit:ISO 11801 CHANNEL CLASS E
3. Conform to the standard:ANSI/TIA 568-C.2 & EN 50173-1 & ISO/IEC 11801
4. PRINT WORD:CAT.6 U/UTP FLAT CABLE 250MHZ CONFORM TO ISO/IEC 11801 & EN50173-1 & ANSI/TIA-568-C.2 PVC www. Synergy21. de
5. ROHS2.0 AND REACH COMPLIANT

NO.	PARTS NAME	SPECIFICATION STANDARD	QT' Y	REMARK	SYNERGY 21																						
		Change plug to Transparent Blue	2019-03-08	A3	<table border="1" style="width: 100%; border-collapse: collapse;"> <tr> <td style="width: 20%;">CUSTOMER</td> <td style="width: 20%;"></td> <td style="width: 10%;">ITEM NO.</td> <td colspan="3">SEE THE CHART</td> </tr> <tr> <td>PRODUCT NAME</td> <td>CAT.6 U/UTP FLAT PATCH CORD</td> <td>manufacture country:</td> <td>CHINA</td> <td>UNIT</td> <td>MM</td> </tr> <tr> <td>DRAWN BY</td> <td>CHECK BY</td> <td>APPO BY</td> <td colspan="3">DATE</td> </tr> </table>					CUSTOMER		ITEM NO.	SEE THE CHART			PRODUCT NAME	CAT.6 U/UTP FLAT PATCH CORD	manufacture country:	CHINA	UNIT	MM	DRAWN BY	CHECK BY	APPO BY	DATE		
CUSTOMER		ITEM NO.	SEE THE CHART																								
PRODUCT NAME	CAT.6 U/UTP FLAT PATCH CORD	manufacture country:	CHINA	UNIT						MM																	
DRAWN BY	CHECK BY	APPO BY	DATE																								
		ADD 0.15M, change grey 421C, change plug Transparent Red	2018-03-19	A2																							
		ADD "www. Synergy21. de" IN THE PRINT WORD	2016-05-24	A1																							
		NEW	2014-09-24	A																							
BY	CHK	REVISION RECORD MODIFICATION	DATE	REV.	SYNERGY 21	SYNERGY 21	SYNERGY 21	2014-09-24																			

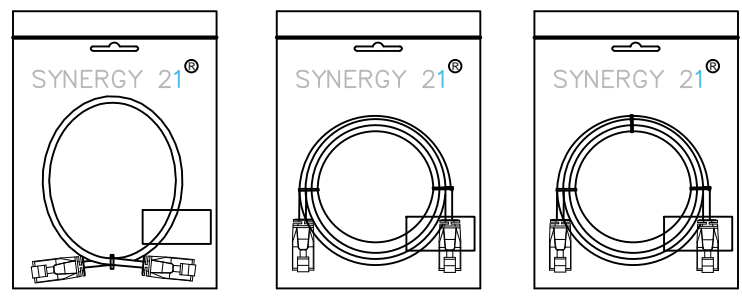
COLOUR: GRAY (PANTONE 421C)		
ITEM NO.	LENGTH	PACKING
S216159V2	150±5	SYNERGY 21 BAG A
S216160V2	250±5	SYNERGY 21 BAG A
S216161V2	500±15	SYNERGY 21 BAG A
S216162V2	1000±10	SYNERGY 21 BAG A
S216163V2	2000±20	SYNERGY 21 BAG A
S216164V2	3000±30	SYNERGY 21 BAG A
S216165V2	5000±50	SYNERGY 21 BAG A
S216166V2	7500±75	SYNERGY 21 BAG A
S216167V2	10000±100	SYNERGY 21 BAG B

COLOUR: WHITE		
ITEM NO.	LENGTH	PACKING
S216169V2	150±5	SYNERGY 21 BAG A
S216170V2	250±5	SYNERGY 21 BAG A
S216171V2	500±15	SYNERGY 21 BAG A
S216172V2	1000±10	SYNERGY 21 BAG A
S216173V2	2000±20	SYNERGY 21 BAG A
S216174V2	3000±30	SYNERGY 21 BAG A
S216175V2	5000±50	SYNERGY 21 BAG A
S216176V2	7500±75	SYNERGY 21 BAG A
S216177V2	10000±100	SYNERGY 21 BAG B

COLOUR: BLACK		
ITEM NO.	LENGTH	PACKING
S216179V2	150±5	SYNERGY 21 BAG A
S216180V2	250±5	SYNERGY 21 BAG A
S216181V2	500±15	SYNERGY 21 BAG A
S216182V2	1000±10	SYNERGY 21 BAG A
S216183V2	2000±20	SYNERGY 21 BAG A
S216184V2	3000±30	SYNERGY 21 BAG A
S216185V2	5000±50	SYNERGY 21 BAG A
S216186V2	7500±75	SYNERGY 21 BAG A
S216187V2	10000±100	SYNERGY 21 BAG B

SYNERGY 21

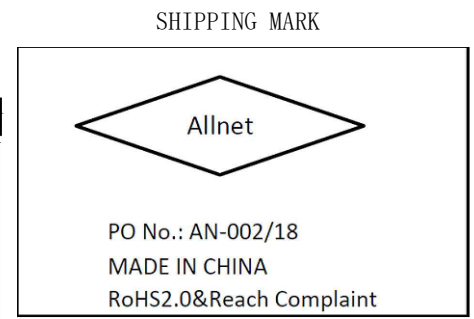
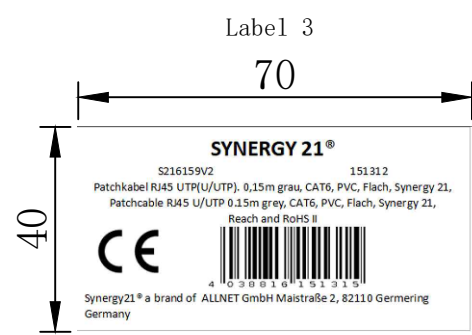
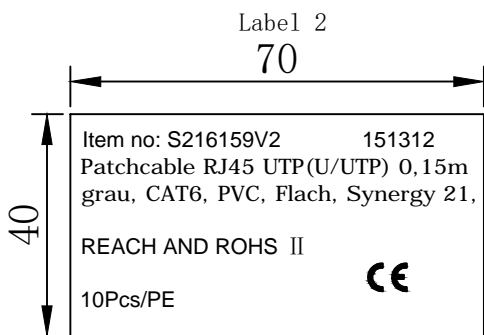
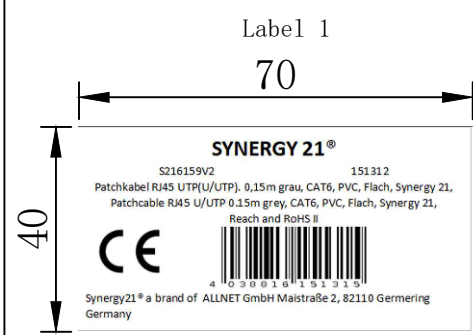
		CUSTOMER				ITEM NO.	SEE THE CHART		
		PRODUCT NAME		CAT. 6 U/UTP FLAT PATCH CORD		manufacture country:	CHINA	UNIT	MM
		NEW		2014-09-24	A	DRAWN BY	CHECK BY	APPO BY	DATE
BY	CHK	REVISION RECORD MODIFICATION		DATE	REV.	SYNERGY 21	SYNERGY 21	SYNERGY 21	2014-09-24



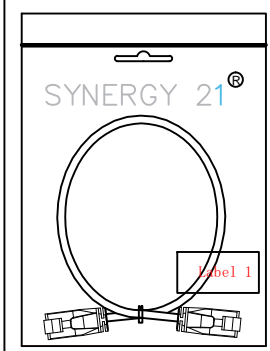
L ≤ 0.5m 0.5m < L ≤ 7.5 7.5 < L

SYNERGY 2: Colour pantone 877C
 1: Colour pantone 298C
 ®: Colour pantone Black
 Bag thickness single side: 0.05mm

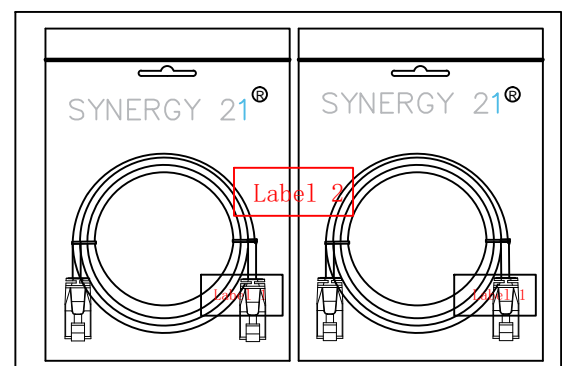
CE length and height Must > 5mm



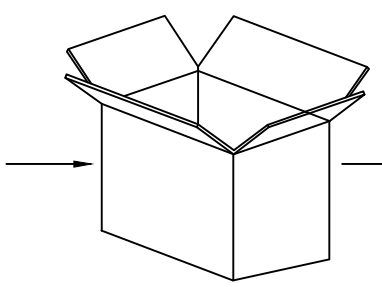
side mark
 PO No.:
 Item No:
 Q' TY:
 G. W:
 N. W:
 Carton No.:
 MEAS:



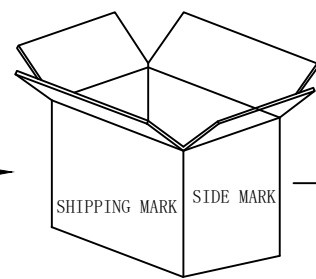
1pcs/SYNERGY 21 Bag+label 1



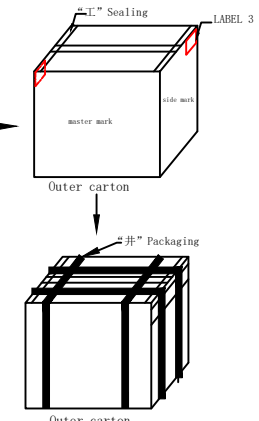
L ≤ 5m: 1pcs/SYNERGY 21 Bag+label 1, 10pcs/pe bag+label 2
 5m < L ≤ 10m: 1pcs/SYNERGY 21 Bag+label 1, 5pcs/pe bag+label 2
 10m < L: 1pcs/SYNERGY 21 Bag+label 1, without pe bag



Inner carton: Single wall corrugated board



Outer carton: Double wall corrugated board



Outer carton

SYNERGY 21									
CUSTOMER				ITEM NO.		See The Chart			
PRODUCT NAME		PACKING		manufacture country:		CHINA	UNIT	MM	
NEW			2014-09-24	A	DRAWNBY		CHECKBY		APPROVE
DATE	REV.	SYNERGY 21		SYNERGY 21		SYNERGY 21		2014-09-24	

REVISION RECORD MODIFICATIONS									
BY	CHK								