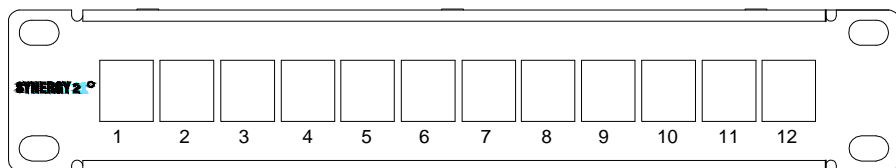


## NOTE:

1. PANEL FRAME:SPCC CARBON STEEL T=1.2MM POWDER COATING
2. PANEL bracket SPCC NICKEL PLATING
3. BODY COLOR: GREY RAL7035
4. RoHS Compliant
5. Apply to the keystone jack which the width less than 17.4mm
6. "1 2 3.....24" Color: black Font : Arial H:3.35MM
7. Accessory:
  1. Cable Tie (140×3.0mm) × 12Pcs
  2. Screw and Nut M6\*18mm × 4set

## SYNERGY 21

				CUSTOMER		ITEM NO.		S216332		
		UPDATE PACKING TYPE	2018-03-20	A1	PRODUCT NAME	12port BLANK PATCH PANEL 10" GREY	manufacture country:	CHINA	UNIT	MM
		NEW	2014-12-03	A	DRAWNBY	CHECKBY	APPOBY	DATE		
BY	CHK	REVISION RECORD MODIFICATIONS	DATE	REV.	SYNERGY 21	SYNERGY 21	SYNERGY 21	2018-03-20		



LABEL 1

SHIPPING MARK

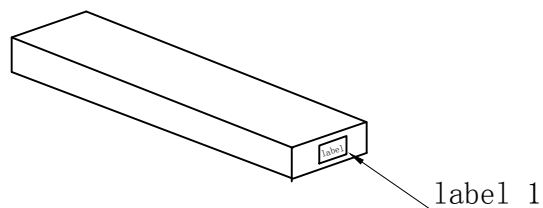


PO NO. :  
REACH and ROHS 2.0 Compliant  
MADE IN CHINA

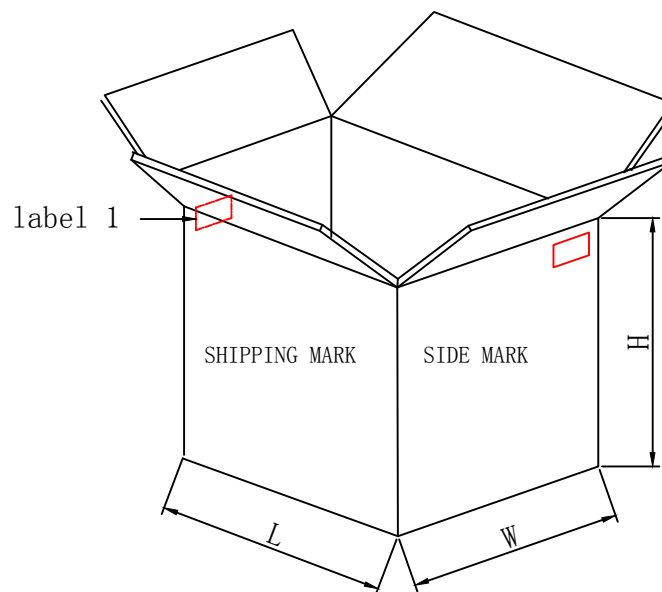
SIDE MARK

PO NO. :  
Item no:  
Q' TY:  
N. W  
G. W  
Carton no.  
MEAS.

"SYNERGY 2 ⑩" for black printing The pantone of Color is black c  
"1" for blue printing The pantone of Color is 298C



1pcs/box+Label

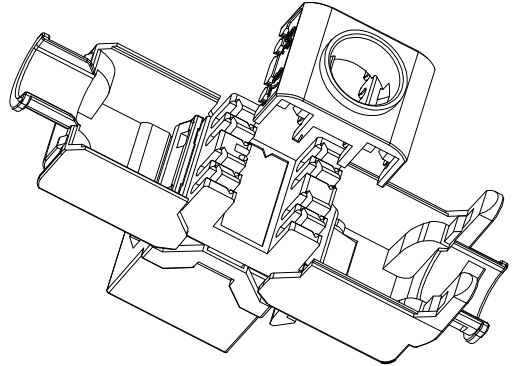
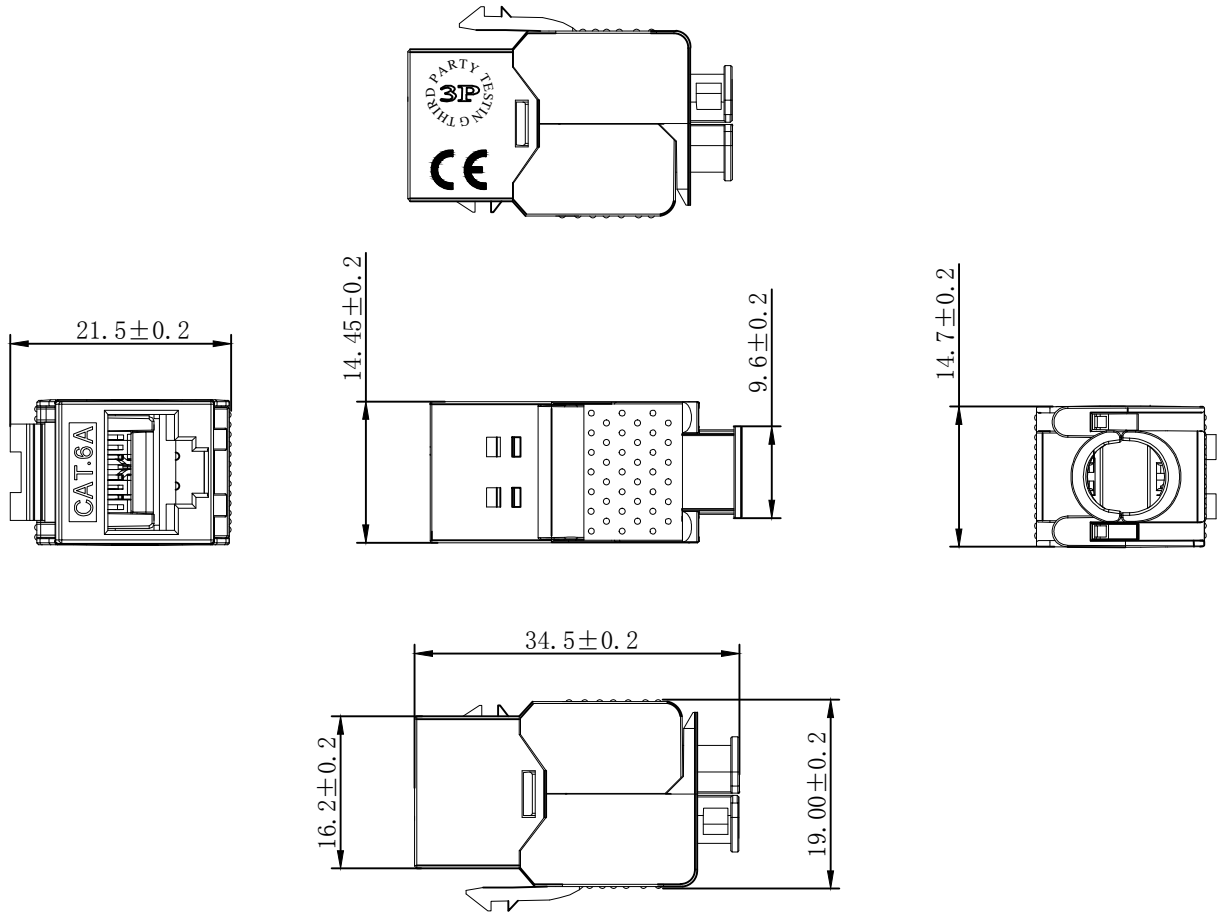


20pcs/Carton+Label 1

NOTE:

1. 1pcs/box+Label 1, 20pcs/Carton+Label 1
2. "工" type sealing
3. "井" type packaging

SYNERGY 21											
CUSTOMER					ITEM NO.		S216332				
UPDATE PACKING TYPE				2018-03-20	A1	PRODUCT NAME	Packing	manufacture country:	CHINA	UNIT	MM
NEW				2014-12-03	A	DRAWNBY	CHECKBY	APPOBY	DATE		
BY	CHK	REVISION RECORD MODIFICATIONS			DATE	REV.	SYNERGY 21	SYNERGY 21	2018-03-20		



**NOTES:**

**ELECTRICAL:**

1. Contact Resistance : 20MΩ MAX
2. Insulation Resistance : 500MΩ MIN @ 500V DC
3. Withstand Voltage : DC 1000V AC 700V RMS 60Hz, 1MIN
4. Component testing for Cat. 6A to ISO/IEC 11801 Ed. 2. 2:2011-06  
DIN EN 50173-1:2011-09  
TIA/EIA-568-C. 2 (2009-08)  
IEC 60603-7-5 Ed. 1 (12/2008)
5. Compliance with Class EA up to 500 MHz to ISO/IEC 11801 Ed. 2. 2:2011-06  
DIN EN 50173-1:2011-09

**ENVIRONMENTAL:**

1. Storage temperature : -40° T0+70°
2. Operation temperature : -10° to+60°

**MECHANICAL**

1. SHIELD MATERIAL: ZINC ALLOY (Silver)
  2. IDC MATERIAL: PC TERMINAL:PHOSPHOR BRONZE, TIN PLATING
  3. RJ45 Contact Life: 750 Times Min
  4. Plug inforce:<30N
  5. Solid cable:1/22AWG(0. 65MM)-1/26AWG(0. 40MM) ID:1. 05MM-1. 5MM
  6. Cable OD: 5. 0mm-8. 0mm
  7. PoE per IEEE 802. 3af, PoE+ per IEEE 802. 3at
  8. 360° Shield connection
- Packing: 1pc/PE Bag + Label  
RoHS 2.0 and REACH Compliant

**MATERIAL LIST:**

⑦	MODULAR COVER	PC White	1	
⑥	RJ 45 JACK INSERT	PHOSPHOR BRONZE 8P8C GOLD PLATED	8	
⑤	PCB	1.2mm UL 94V0	1	
④	IDC BODY	PC White	1	
③	IDC PIN	PHOSPHOR BRONZE & TINNED	8	
②	LABEL COLOR CODE	T568A/B	2	
①	IDC TERMINAL	FOR 22-26AWG(0. 40mm-0. 65mm) CABLE	1	

NO	PARTS NAME	SPECIFICATION STANDARD	QT' Y	REMARK
		NEW	2020-02-21	A
BY	CHK	REVISION RECORD MODIFICATIONS	DATE	REV.

SYNERGY 21					
CUSTOMER	ITEM NO.	S216364			
PRODUCT NAME	manufacture country:	china	UNIT	MM	
CAT. 6A STP KEYSTONE JACK					
DRAWNBY	CHECKBY	APPOBY	DATE		
SYNERGY 21	SYNERGY 21	SYNERGY 21	2020-02-21		