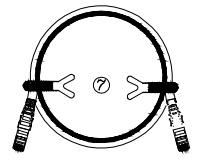
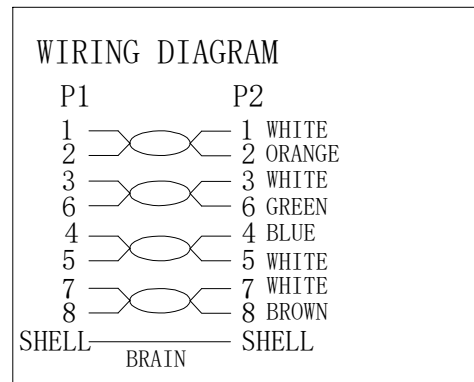


ARRANGE METHOD:



Item	Description	Material	Color	Q'TY
①	Plug	C6R5Z03MV2SIL	transparent	2
②	Insert	I1.1V2	transparent	2
③	Insert	C6 SSTP insert	Blue	2
④	Lock Part 1	Move Part	Blue	2
⑤	Lock Part 2	Key	Blue	1
⑥	Over Mould	PVC	Same as cable color	
⑦	Cable Tie		WHITE	2
⑧	Key Chain	Key Chain	Ni	1

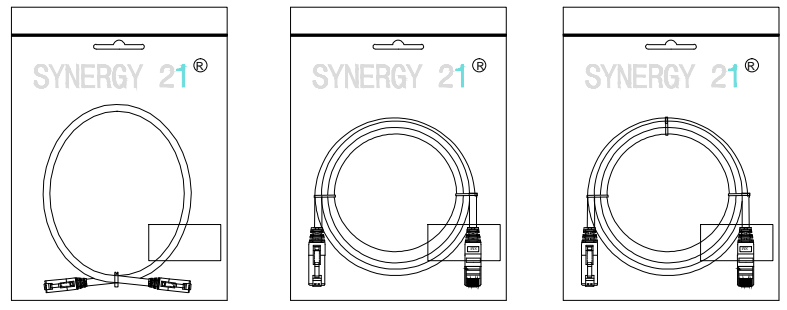
1. Electrical test:100% open short & miss wire test;
2. RoHS2.0 AND REACH compliant
3. PRINT WORD:
CAT. 6A S/FTP LSZH 500MHz ISO/IEC 11801 & EN50173-1 & ANSI/TIA-568-C.2 www.Synergy21.de **CE**
4. Test:ISO 11801 CLASS EA CHANEL LINK TEST PASS
5. OPERATING TEMPERATURE:-10°C~60°C
6. Support PoE+ per IEEE 802.3at, Max to 30 Watt



MATERIAL LIST

③	OVER MOLD	PVC, Same as cable color	2	
②	CONNECTOR	RJ45 8P8C'S SHIELDED, THE SHELL PLATED NICKEL, PIN GOLD PLATED	2	
①	CABLE	CAT. 6A S/FTP (26AWG BC*1P+AL-FOIL)*4+BRAID+JACKET: LSZH OD:6.2±0.2mm Transparent plug	1	
NO.	PARTS NAME	SPECIFICATION STANDARD	QT' Y	REMARK
		ADD POE Information		2017-02-06 A1
		NEW		2016-05-24 A
BY	CHK	REVISION RECORD MODIFICATIONS		

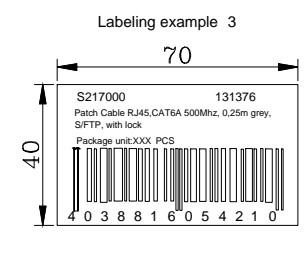
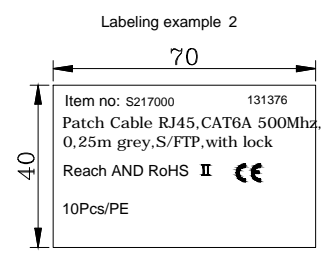
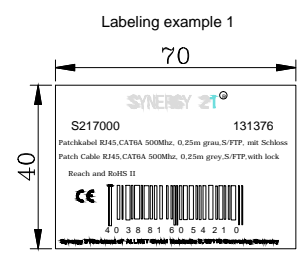
SYNERGY 21				
CUSTOMER	ITEM NO.	See The Chart		
PRODUCT NAME	Patch cable CAT6A 500Mhz, S-STP(S/FTP), with lock	manufacture country:	CHINA	UNIT MM
DRAWN BY	CHECK BY	APPO BY	DATE	
SYNERGY 21	SYNERGY 21	SYNERGY 21	2016-05-24	



L <= 0.5M **0.5M <= L <= 7.5** **7.5 < L**

SYNERGY 2: Colour pantone 877C
1: Colour pantone 298C
 ®: Colour pantone Black
 bag thickness single side:0.05mm

CE length and height Must > 5mm

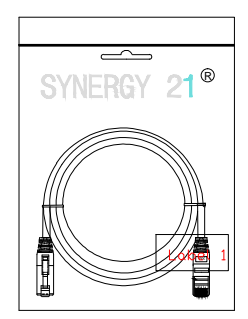


master mark

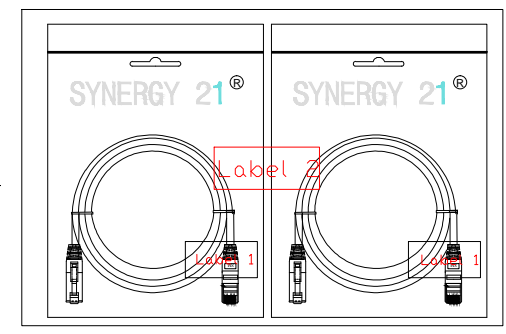
side mark

PO NO. :
CAT 6A S/FTP
 Length:
 Colour:
 C/NO. :
 REACH+RoHS 2.0 Compliant
 MADE IN CHINA

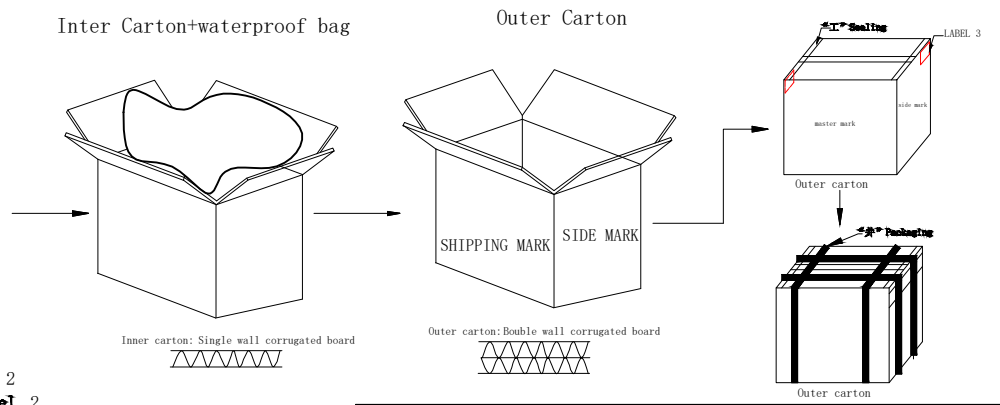
Item no:
CAT 6A S/FTP
 Length:
 Colour:
 Q' TY:
 N. W:
 G. W:
 MEAS:



1pcs/SYNERGY 21 Bag+label 1



L <= 5M: 1pcs/SYNERGY 21 Bag+label 1, 10pcs/pe bag+label 2
5m <= L <= 10M: 1pcs/SYNERGY 21 Bag+label 1, 5pcs/pe bag+label 2
 10m < L: 1pcs/SYNERGY 21 Bag+label 1, without pe bag



SYNERGY 21											
				CUSTOMER		ITEM NO.		See The Chart			
				PRODUCT NAME	PACKING	manufacture country:		CHINA	UNIT	MM	
NEW				2016-05-24	A	DRAWNBY		CHECKBY		APPROVE	DATE
BY	CHK	REVISION RECORD MODIFICATIONS			DATE	REV.	SYNERGY 21	SYNERGY 21	SYNERGY 21	2016-05-24	