

MATERIAL LIST:

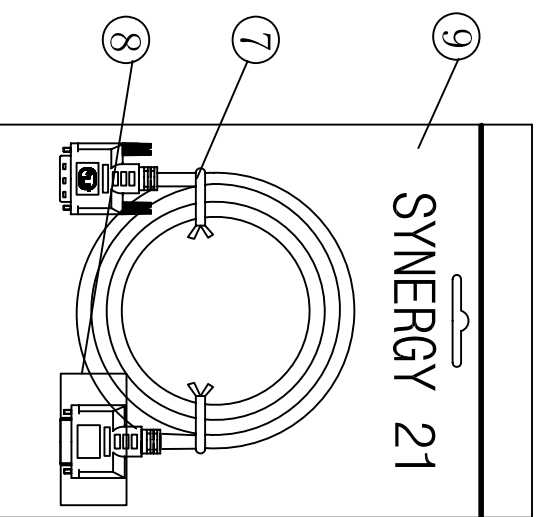
⑨	PE BAG	SYNERGY 21 C SLIP PE BAG	1	
⑧	LABEL	NO DRY GLUE LABEL	1	
⑦	MINI TIE	BLACK	2	
⑥	DVI CONNECTOR	DVI (24+1)/F, Solder Type, The Pin gold Plating, The Shell Nickel Plating	1	
⑤	SCREW	SCREW SPEC: #4-40 NICKEL PLATED MATERIAL SCREW, ϕ 4.0mm \times L:42mm, MOLDING BLACK;	2	
④	CABLE	DVI 28AWG (7/0, 127BC*1P+E+WAM)*7+7/0, 127BC*1P+7/0, 127BC*3C+AEB B=0.12mm/9*16 AL-MG, E=7/0, 10mm, JACKET: PVC/BLACK OD: 8.5mm	1	
③	MOLD HOOD	88A PVC COLOR: BLACK	2	
②	INNER MOLD	LD-PE	2	
①	DVI CONNECTOR	DVI (24+1)/M Solder Type, The Pin Gold Plating, the Shell Nickel Plating	1	
NO.	PARTS NAME	SPECIFICATION STANDARD	QTY	REMARK

- NOTE:
1. Electrical test:
 - (1). 100% open short & miss wire test;
 - (2). Insulation resistance:DC 300V 10M ohm;
 - (3). Contactor resistance:3 ohm;
 - (4). Dielectric strength:150V AC/Sec, 1mA.
2. ROHS COMPLIANT
 3. PRINT WORD:AWM STYLE 20276 80C 30V VW-1 DVI
 4. PACKING:SYNERGY 21 PE Blister+LABEL

SYNERGY 21					
CUSTOMER	REF.	ITEM NO.	S215256		
PRODUCT NAME	DVI 24+1 M/F CABLE	manufacture country:	CHINA	UNTT	MM
DRAWNBY	CHECKBY	APPOBY	DATE		
SYNERGY 21	SYNERGY 21	SYNERGY 21	2009-11-25		

BY	CHK	REVISION RECORD MODIFICATIONS	DATE	REV.	SYNERGY 21	SYNERGY 21	SYNERGY 21	2009-11-25
		NEW	2009-11-25	A				

PACKING
 SYNERGY 21 C Bag 250mm*290mm



SHIPPING MARK

FRONT SHIPPING MARKS	SIDE SHIPPING MARKS
PI/NO. : Short Description :DVI Cable Length: m Colour: C/NO. : RoHS Compliant MADE IN CHINA	Item no: Short Description :DVI Cable Length: m Colour: Q'TY: N. W G. W MEAS.

SYNERGY 21									
CUSTOMER		REF.		ITEM NO.		S215256			
PRODUCT NAME		DVI 24+1 M/F CABLE		manufacture country:		CHINA		UNTT MM	
DRAWNBY		CHECKBY		APPOBY		DATE			
SYNERGY 21		SYNERGY 21		SYNERGY 21		2009-11-25			
DATE		REV.		DATE					
2009-11-25		A							
NEW									
REVISION RECORD MODIFICATIONS									
CHK									
BY									