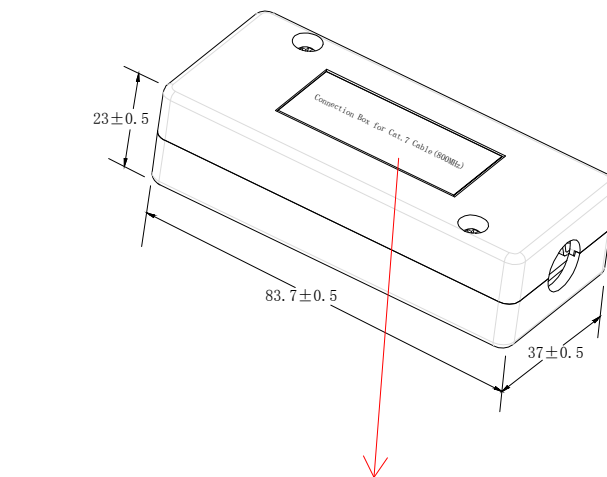
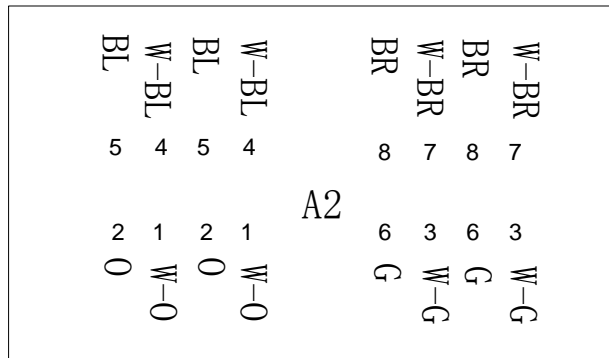
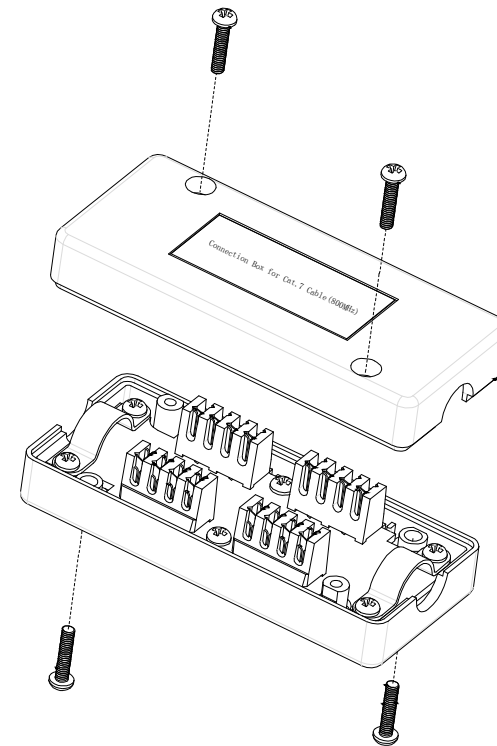


PIN OUT:



Connection Box for Cat.7 Cable (800MHz)



Electrical Specifications:

Insulation Resistance:500mm ohms(min.)  
 Contact Resistance:20m ohms(max.)  
 Current Rating:1.5 Amps  
 Withstanding Voltage:1000 VAC RMS@60Hz/1 min.

Environmental:

**Operation temperature:-10℃ ~+70℃**  
**Storage temperature:-40℃ ~+85℃**

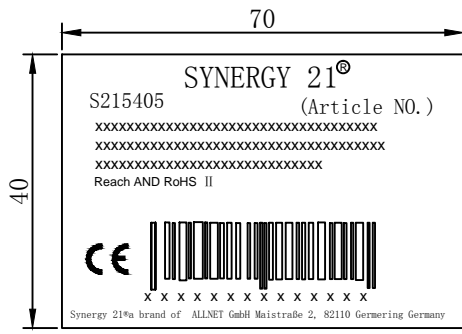
Accessory:

1. Screw-type Strain Rellf (ST2.9X12 4PCS、ST2.9X5 4PCS、ST2.9X13.5 2PCS)
2. Cable Inlet(4Pcs.)
3. With Adhesive Tapes For Fixing
4. Instruction Sheet

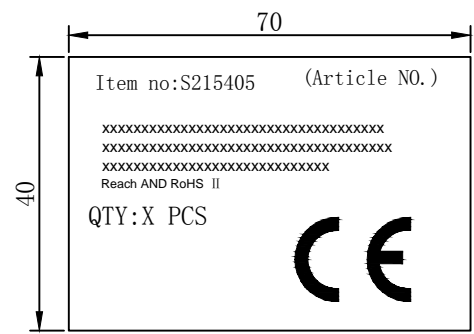
PACKING:1pcs/PE bag+lable1, 40pcs/box+lable2, 400pcs/ctn+lable1  
 RoHS2.0 AND REACH COMPLIANT

⑤	Box Cover	Fireproof PC/ABS U1-94V0 (black)	1	
④	Box Base	Fireproof PC/ABS U1-94V0 (black)	1	
③	PCB	FR-4/1.6mm UL-94V0	1	
②	IDC Pin	Bronze & Tinned	16	
①	IDC teminal	For 22-26 AWG Cable	16	
NO.	PARTS NAME	SPECIFICATION STANDARD	QT' Y	REMARK
		UPDATE PACKING TYPE	2018-03-20	A1
		NEW	2016.05.17	A
BY	CHK	REVISION RECORD MODIFICATIONS	DATE	REV.

SYNERGY 21									
CUSTOMER		FILE NO.			S215405				
PRODUCT NAME		Connection box		manufacture country:		china		UNIT	MM
DRAWNBY		CHECKBY		APPOBY		DATE			
SYNERGY 21		SYNERGY 21		SYNERGY 21		2018-03-20			



Label 1



lable 2

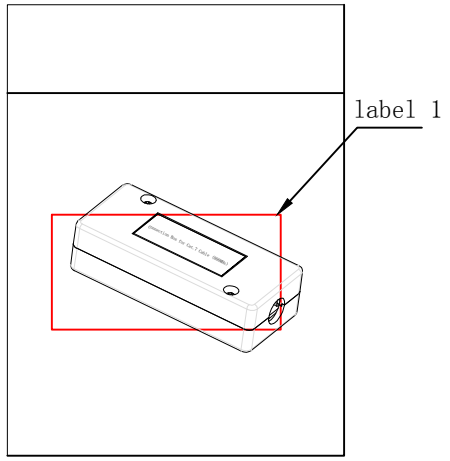
SHIPPING MARK



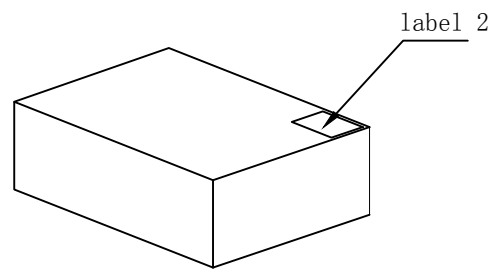
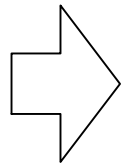
PO NO. :  
REACH and ROHS 2.0 Compliant  
MADE IN CHINA

SIDE MARK

PO NO. :  
Item no:  
Q' TY:  
N. W  
G. W  
Carton no.  
MEAS.

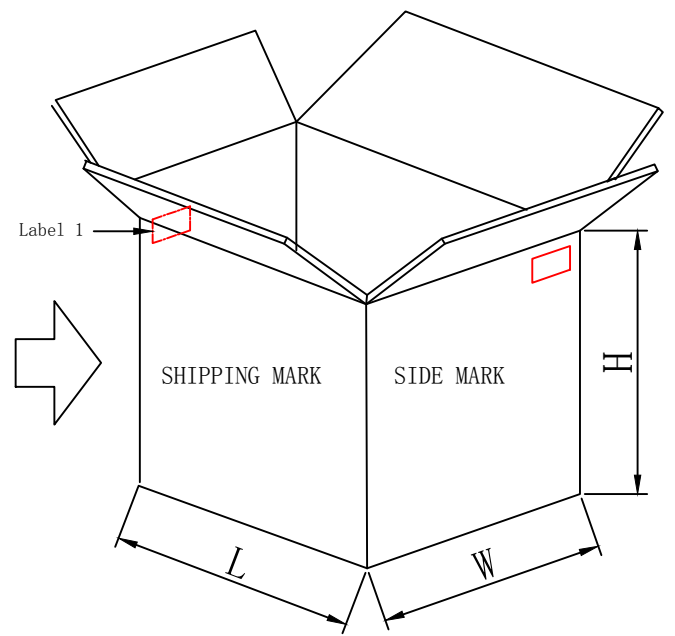
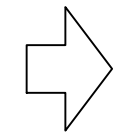


1PCS/PE bag+lable1



40 pcs/box+lable2

Label 1



400 pcs/ctn+lable 1

- NOTE:
- 1.pcs/PE bag+lable1, 40pcs/box+lable2, 400pcs/ctn+lable3
  2. “工” type sealing
  3. “井” type packaging

SYNERGY 21									
------------	--	--	--	--	--	--	--	--	--

					CUSTOMER			ITEM NO.	S215405	
		UPDATE PACKING TYPE	2018-03-20	A1	PRODUCT NAME	PACKING	manufacture country:	CHINA	UNIT	MM
		NEW	2014-09-24	A	DRAWNBY	CHECKBY	APPOBY	DATE		
BY	CHK	REVISION RECORD MODIFICATIONS	DATE	REV.	SYNERGY 21	SYNERGY 21	SYNERGY 21	2018-03-20		