

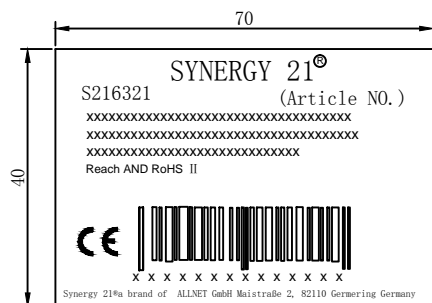
- NOTE:
1. PANEL FRAME:SPCC CARBON STEEL T=1.5MM POWDER COATING
  2. PANEL bracket SPCC NICKEL PLATING
  3. BODY COLOR: GREY RAL7035
  4. RoHS2.0 AND REACH Compliant
  5. Apply to the keystone jack which the width less than 17.4mm
- "1 2 3.....24" Color: black Font : Arial H:3.35MM
6. PACKING:1pcs/panel box+lable, 5pcs/carton
- Accessory:
1. Cable Tie(140×3.0mm)×24Pcs
  2. Screw and Nut M6\*18mm × 4set

LOGO:



"SYNERGY2 "for black printing, The pantone of colour is black C  
 "1" for blue printing, The pantone of colour is 298C

		UPDATE PACKING TYPE	2018-03-20	A4						
		REMOVE THE BLACK SQUARES	2014-01-08	A3	SYNERGY 21					
		UPDATE LOGO	2013-10-23	A2	CUSTOMER		ITEM NO.	S216321		
		UPDATE COMPLIANT	2013-07-10	A1	PRODUCT NAME	CAT. 6A STP 24port BLANK PATCH PANEL GREY	manufacture country	China	UNIT	MM
		NEW	2011-07-11	A	DRAWNBY	CHECKBY	APPOBY	DATE		
BY	CHK	REVISION RECORD MODIFICATIONS	DATE	REV.	SYNERGY 21	SYNERGY 21	SYNERGY 21	2018-03-20		



Label 1

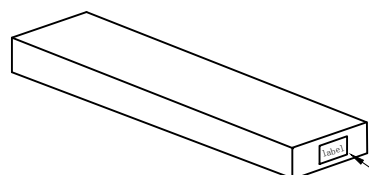
SHIPPING MARK



PO NO. :  
REACH and ROHS 2.0 Compliant  
MADE IN CHINA

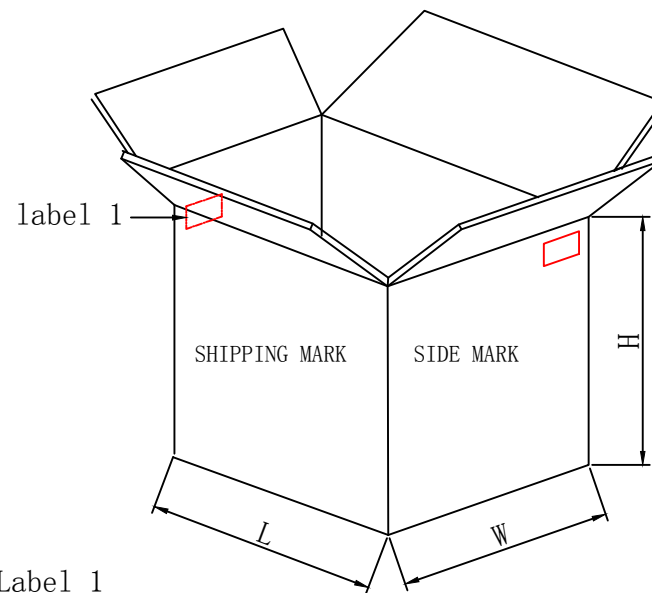
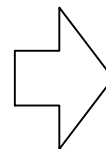
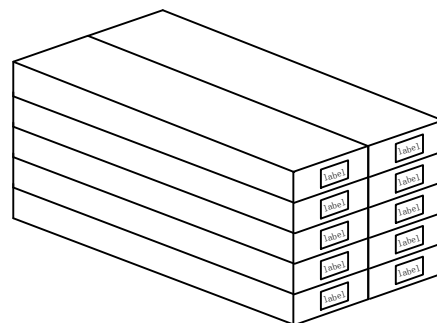
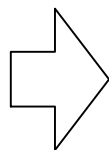
SIDE MARK

PO NO. :  
Item no:  
Q' TY:  
N. W  
G. W  
Carton no.  
MEAS.



label 1

1pcs/box+Label 1

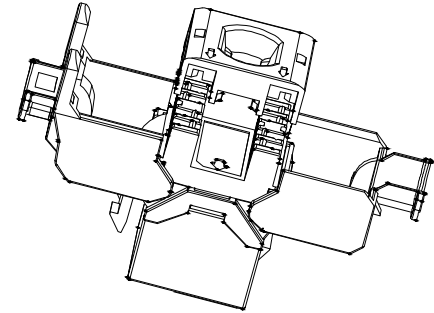
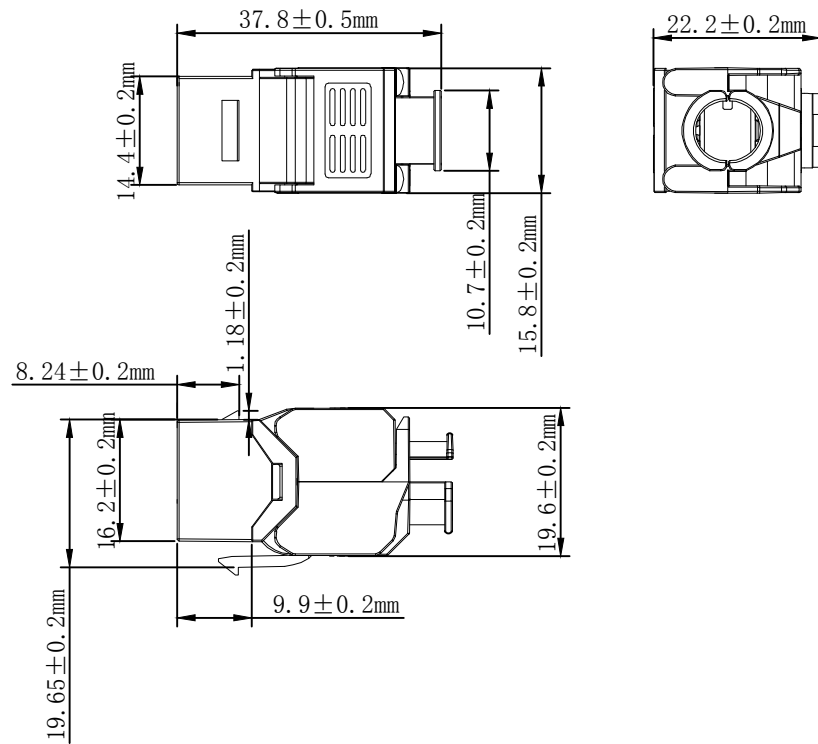
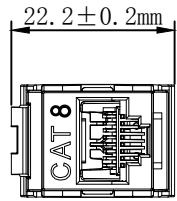


10pcs/Carton+Label 1

NOTE:

1. 1pcs/box+Label 1, 10pcs/Carton+Label 1
2. “工” type sealing
3. “井” type packaging

<b>SYNERGY 21</b>											
CUSTOMER						ITEM NO.		S216321			
UPDATE PACKING TYPE			2018-03-20		A4	PRODUCT NAME	Packing	manufacture country:	CHINA	UNIT	MM
NEW						DRAWNBY	CHECKBY		APPOBY		DATE
BY	CHK	REVISION RECORD MODIFICATIONS			DATE	REV.	SYNERGY 21	SYNERGY 21	SYNERGY 21	2018-03-20	



**MATERIAL LIST:**

⑦	Housing	Zinc alloy Silver	1	
⑥	RJ 45 JACK INSERT	PHOSPHOR BRONZE 8P8C GOLD PLATED	8	
⑤	PCB	FR-4 1.6mm	1	
④	IDC BODY	White PC	1	
③	IDC PIN	PHOSPHOR BRONZE & TINNED	8	
②	LABEL COLOR CODE	T568A/B	2	
①	IDC TERMINAL	FOR 22-26AWG CABLE	1	

NO	PARTS NAME	SPECIFICATION STANDARD	QT'Y	REMARK
		NEW	2020-09-01	A
BY	CHK	REVISION RECORD MODIFICATIONS	DATE	REV.

**NOTES:**

**ELECTRICAL:**

- Contact Resistance : 20MΩ MAX
- Insulation Resistance : 500MΩ MIN @ 500V DC
- Withstand Voltage : DC 1000V AC 700V RMS 60Hz, 1MIN
- Compliance with Class I up to 2000 MHz to ISO/IEC 11801-1:2017 (Ed. 1. 0)

**ENVIRONMENTAL:**

- Storage Temperature : -40℃ ~ +70℃
- Operation Temperature : -10℃ ~ +60℃

**MECHANICAL**

- MATERIAL: Zinc alloy
- IDC MATERIAL: PC TERMINAL:PHOSPHOR BRONZE, TIN PLATING
- RJ45 Contact Life: 750 Times Min
- Plug inforce:<30N
- Solid cable:1/22AWG (0.65MM)-1/26AWG (0.4MM) ID:1.1MM-1.6MM
- Stranded cable:22/7-26/7AWG ID:1.1MM-1.6MM
- Cable OD: 5.0mm-8.5mm
- PoE per IEEE 802.3af, PoE+ per IEEE 802.3at,PoE++ per IEEE 802.3bt
- RoHS 2.0 and REACH Compliant
- with copper foil in packing.

SYNERGY 21							
CUSTOMER	ALLNET Computersysteme GmbH	ITEM NO.	S216378				
PRODUCT NAME	CAT 8.1 STP KEYSTONE JACK	manufacture country:	china	UNIT	MM		
DRAWNBY	CHECKBY	APPOBY	DATE				
SYNERGY 21	SYNERGY 21	SYNERGY 21	2020-09-01				