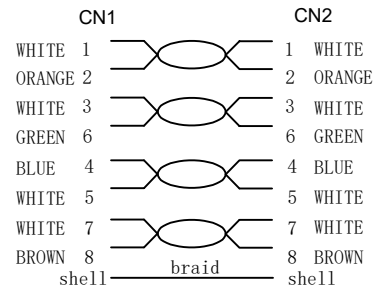


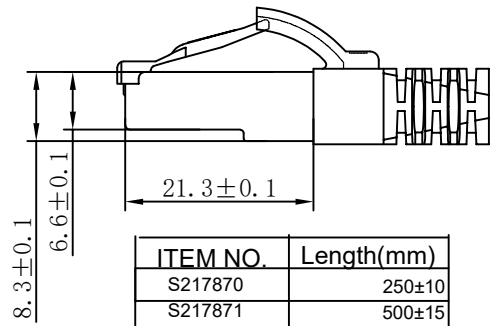
CAT6A/Class Ea S/FTP with cat7 raw cable 600MHz 4x2x26AWG/1 PVC+PE ISO11801 & EN50173 & ANSI/TIA568. 2-D www.Synergy21.de CE

WIRING DIAGRAM

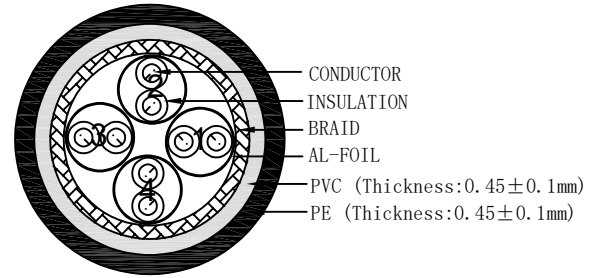


NOTE:

- ELECTRICAL TEST:100% OPEN SHORT, MISS WIRE TEST
- FLUKE Channel LINK TEST:
TEST LIMIT:ISO11801 Channel Class Ea (+ALL)
- Operating temperature, fixed:-40° C ~ +75 ° C
Temperature, moved/during installation:-20° C ~ +60 ° C
Bending radius, fixed installation: 6xOD
Bending radius, moved application: 8xOD
- Max. operating capacity:56 nF/km
- Dielectric strength(conductor/conductor, conductor/screen):
test voltage:2500V d.c. for 2s or 1000V d.c. for 1 min
- Plug Contacts durability:750 cycles min
- RoHS 2011/65/EU and amendment directives (EU) 2015/863 compliant;REACH 1907/2006/EC compliant.
- PE: Anti-UV (Conform IEC 50289-4-17)
Waterproof (Conform IEC 60811-402)
- Support PoE per IEEE 802.3af, PoE+ per IEEE 802.3at, PoE++ per IEEE 802.3bt
- The patch cord is Not included silicon and LAPS
- IEC 60664-1:2020 standard support up to 7.2KV Pulse voltage



ITEM NO.	Length(mm)
S217870	250±10
S217871	500±15
S217872	1000±20
S217873	1500±30
S217874	2000±30
S217875	3000±50
S217876	5000±100
S217877	7500±200
S217878	10000±200
S217879	12500±200
S217880	15000±300
S217881	20000±300
S217882	25000±300
S217883	30000±300
S217884	40000±500
S217885	50000±500



MATERIAL LIST:

③	CABLE	CAT7 S/FTP Cable (26AWG/1 BC*1P+AL-FOIL)*4P+Braid(AL-MG)+ Jacket:inter jacket PVC+outer jacket PE(Black) ,OD:6.2±0.2mm	1	
②	OVER MOLD	PVC 50P Black(Pantone Black 3C)	2	
①	PLUG	RJ45 8P8C SHIELDED PIN GOLD PLATED 3U", THE SHELL PLATED NICKEL COLOUR:TRANSPARENT YELLOW	2	
NO.	PARTS NAME	SPECIFICATION STANDARD	QT' Y	REMARK

The following are examples of situations where this cable is not suitable:
 Do not use it when immersed in water for a long time.
 Do not use it underground or in pipes.
 Do not use it at temperatures above 75 or below-40 .
 Do not use it in industrial environments.
 Do not use it in situations where frequent bending and movement are required.
 Do not use it be hung horizontally

					SYNERGY 21								
		NEW			2025-11-03	A	DRAWNBY		CHECKBY	APPROVE	DATE		
BY	CHK	REVISION RECORD MODIFICATIONS			DATE	REV.	SYNERGY 21	SYNERGY 21	SYNERGY 21	2025-11-03			
							CUSTOMER			ITEM NO.			
							PRODUCT NAME	Cat.6A S/FTP 26AWG Solid Patch cord 10G PVC+PE		manufacture country:	CHINA	UNIT	MM