

Colored Coating Fiber: 250um±15um
 Inner Jacket: black
 Polyester yarn
 Outer Jacket: White (RAL9001) 2.2mm±0.2mm

| | |
|----------------------|---|
| Tension (Short Term) | 120N, no change in attenuation after the test, no sheath damage |
| Tension (Long Term) | 60N, no change in attenuation |
| Crush (Short Term) | 500N/100mm, no fiber breakage, no sheath damage |
| Crush (Long Term) | 100N/100mm, no change in attenuation |

CE
 NB 0598
 Alinet Computersysteme GmbH.
 Maistr.2 D-82110 Germering Germany
 19
20190729_001
 EN50575:2014+A1:2016
 FTTH Optical Fiber Cable 4FO
 Supply of data transmission in buildings and other civil engineering works with the objective of limiting the generation and spread of fire and smoke
 Reaction to Fire: Eca
 Dangerous substances: none

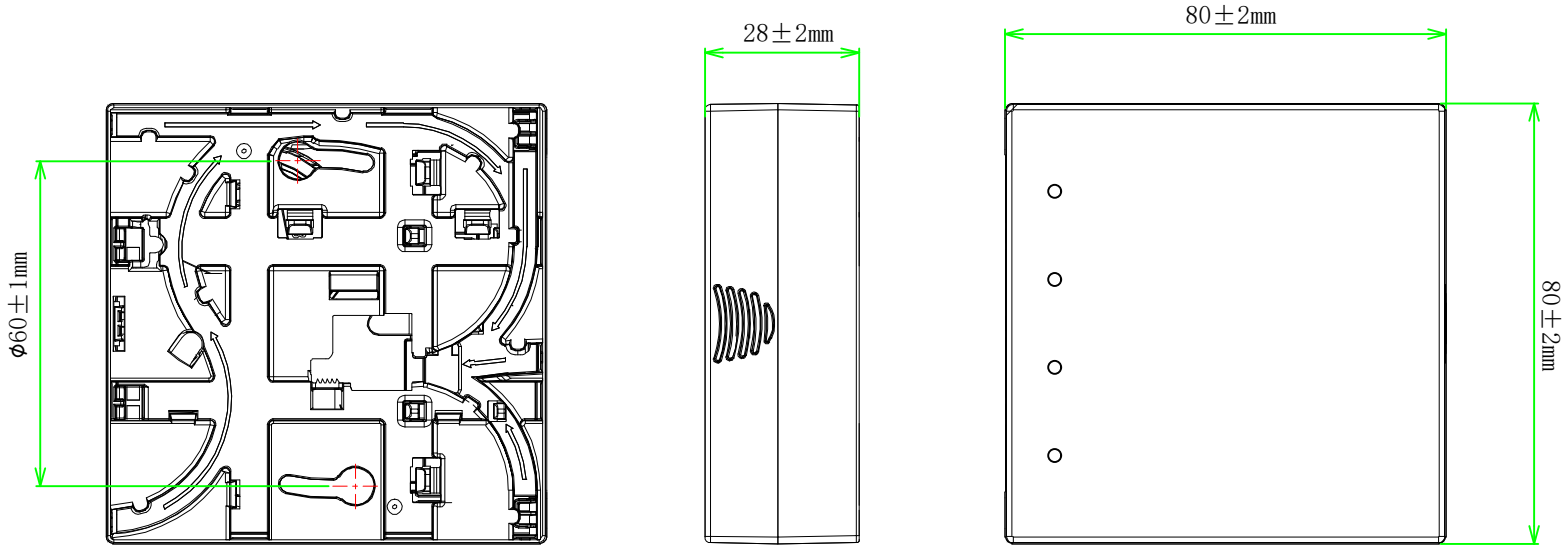
| ITEM NO. | LENGTH | FIBER | Color |
|----------------|--------|----------|-------|
| S215571V2. 20m | 20M | G657. A2 | White |
| S215571V2. 40m | 40M | G657. A2 | White |
| S215571V2. 60m | 60M | G657. A2 | White |

Note:
 1. Grade Designation: Each to Reference
 2. ROHS 3.0 and REACH Compliant
 3. Bending insensitive fiber

| Type | Single-Mode |
|-----------------|-------------|
| Insertion Loss | ≤ 0.30dB |
| Return Loss | ≥ 60dB |
| Test Wavelength | 1310nm |

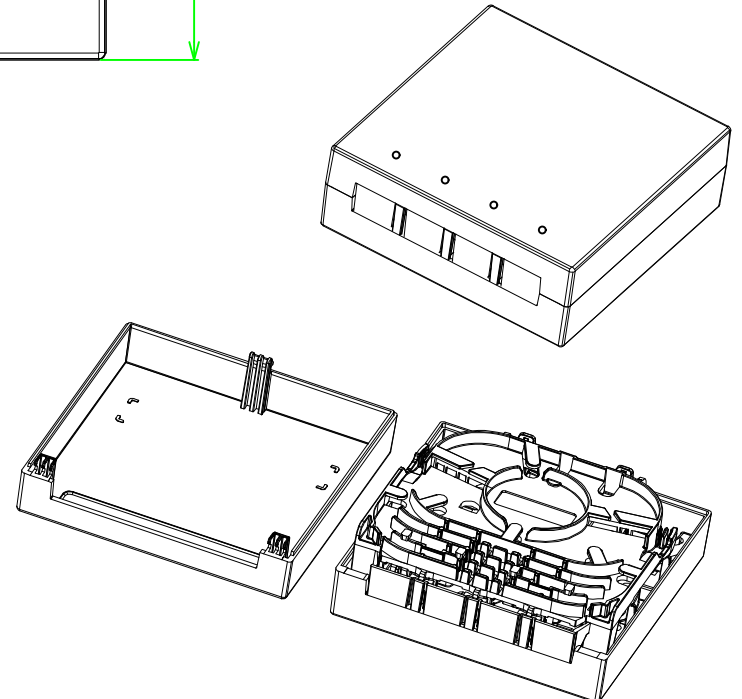
| | | | |
|---|---|-------|--|
| ⑨ | 0.9 Tube Hytrel Color:Red | 440mm | |
| ⑧ | 0.9 Tube Hytrel Color:Blue | 440mm | |
| ⑦ | Heat Shrink Tubing | 1 | |
| ⑥ | Fanout Heat Shrink Tubing | 1 | |
| ⑤ | FIBER OPTICAL CABLE G657.A2 2C 250um Blue Red with KEVLAR Jacket LSZH OD: 2.2mm Color:White Printing: FIBER OPTICAL CABLE 2FO SM 9/125um G657.A2 LSZH HT CPR Eca MM/YYYY XXXXm | Xm | |
| ④ | LC White Dust Cap | 2 | |
| ③ | LC/APC 8° Ferrule | 2 | |
| ② | LC SM 0.9 Green Connector | 2 | |
| ① | LC 0.9mm Green Boot | 2 | |

| NO | | SPECIFICATION STANDARD | QT'Y | REMARK | SYNERGY21 | | | | | |
|----|-----|-------------------------------|------------|--------|--------------|-------------------------------|---------------------|---------------|------|----|
| | | | | | CUSTOMER | AN | ITEM NO. | see the chart | | |
| | | | | | PRODUCT NAME | 2 cores LC/APC 8° fiber cable | Manufacture country | CHINA | UNIT | mm |
| | | NEW | 2022-07-25 | A | DRAWNBY | CHECKBY | APPOBY | DATE | | |
| BY | CHK | REVISION RECORD MODIFICATIONS | DATE | REV. | SYNERGY21 | SYNERGY21 | SYNERGY21 | 2022-07-25 | | |

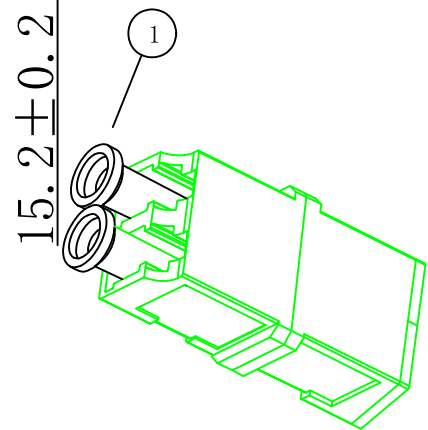
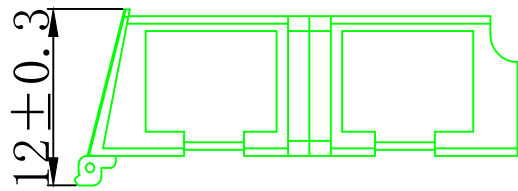
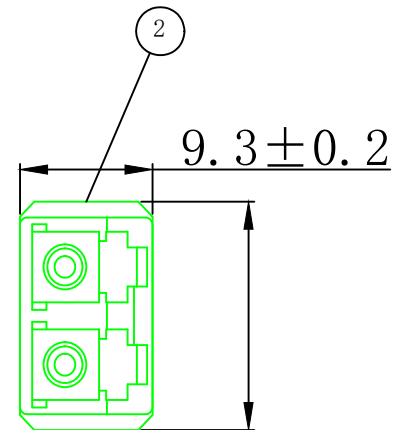
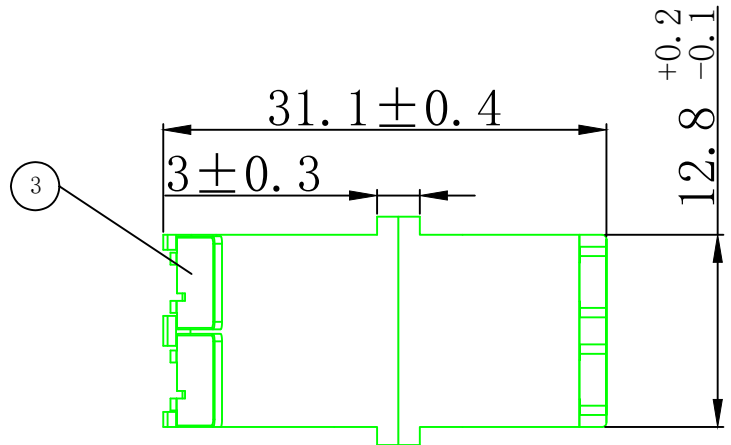
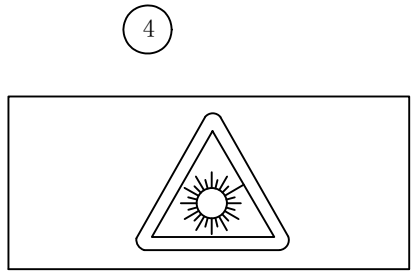


NOTE:

- ROHS 3.0 and REACH Compliant
- Storage Temperature: -40°C~+75°C
- Operation Temperature: -40°C~+75°C
- ABS Material
- UL94V2
- Max 4 core (shrinkage Type)
- 4 SC Simplex Adapter or LC Duplex Adapter Installable
- Suitable for Fiber fusion protection sleeves Installable
- DIN Installation available
- W/O Adapter
- Color:white
- Dimensions:80*80*28mm



| | | | | | | | | | |
|-------------------------------|-----|-----------------|--|--|---------------------|-----------|---------------|-----------|------------|
| SYNERGY21 | | | | | | | | | |
| CUSTOMER | | AN | | | ITEM NO. | | See the chart | | |
| PRODUCT NAME | | FTTH Box 4 Core | | | Manufacture country | | CHINA | UNIT | mm |
| BY | CHK | NEW | | | 2022-07-25 | A | DRAWNBY | CHECKBY | APPOBY |
| REVISION RECORD MODIFICATIONS | | DATE | | | REV. | SYNERGY21 | SYNERGY21 | SYNERGY21 | 2022-07-25 |



NOTE:
ROHS 3.0 & Reach COMPLIANT

| | |
|-----------------------------|-----------|
| Typical Insertion Loss (dB) | ≤0.12 |
| Insertion Loss (dB) | ≤0.20 |
| Operating Temperature (° C) | -40 ~ +80 |
| Storage Temperature (° C) | -40 ~ +85 |

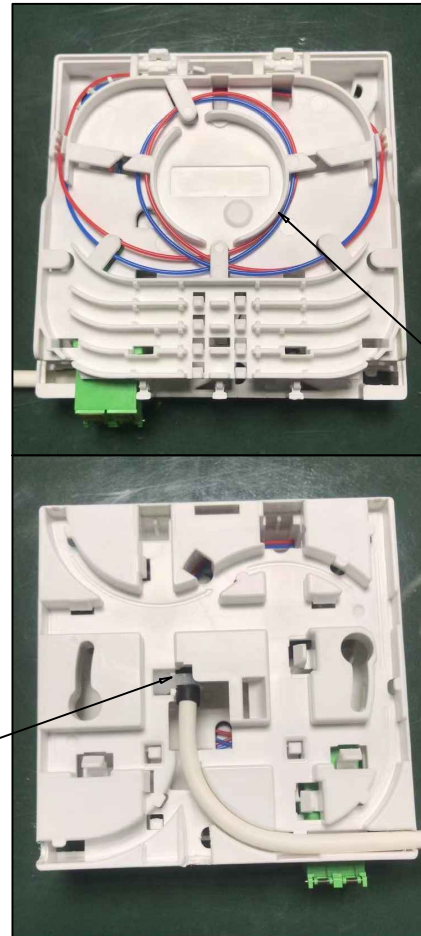
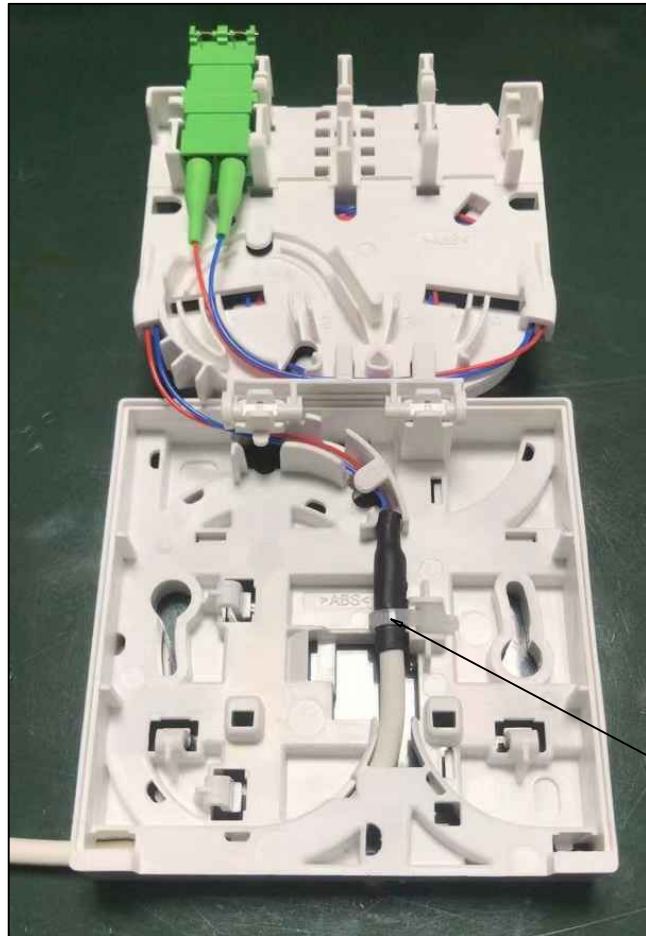
MATERIAL LIST:

| ④ | Note that the laser label (Red Blue) | 2pcs | |
|-----|---|-------|--------|
| ③ | Green Dust Cap | 2pcs | |
| ② | LC Green Housing (SC simplex footprint) | 1pcs | |
| ① | LC White Dust Cap | 2pcs | |
| NO. | SPECIFICATION STANDARD | QT' Y | REMARK |

| | | | | | |
|--------------|---|---------------------|---------------|------|----|
| SYNERGY21 | | | | | |
| CUSTOMER | AN | ITEM NO. | See the chart | | |
| PRODUCT NAME | LC/APC Green (Ceramic) Duplex Adapter (With External Laser Protection Shutter) w/o Flange | Manufacture country | CHINA | UNIT | mm |
| DRAWNBY | CHECKBY | APPOBY | DATE | | |
| SYNERGY21 | SYNERGY21 | SYNERGY21 | 2022-07-25 | | |

| | | | |
|-----|-----|-------------------------------|------|
| NEW | | 2022-07-25 | A |
| BY | CHK | REVISION RECORD MODIFICATIONS | DATE |

RedBlue
Adapter label

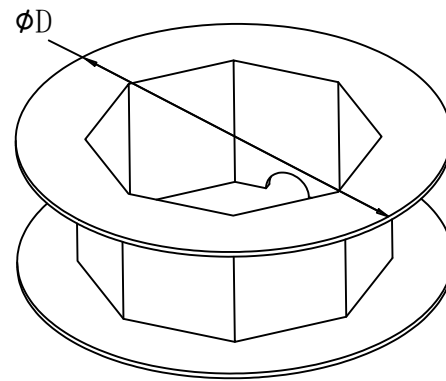
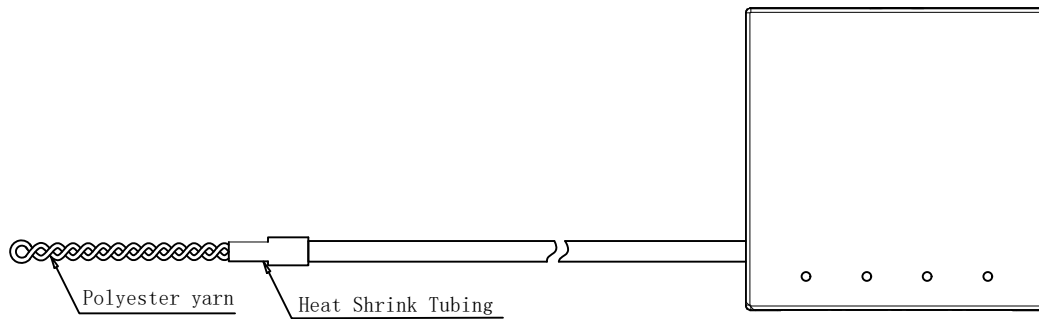


One lap

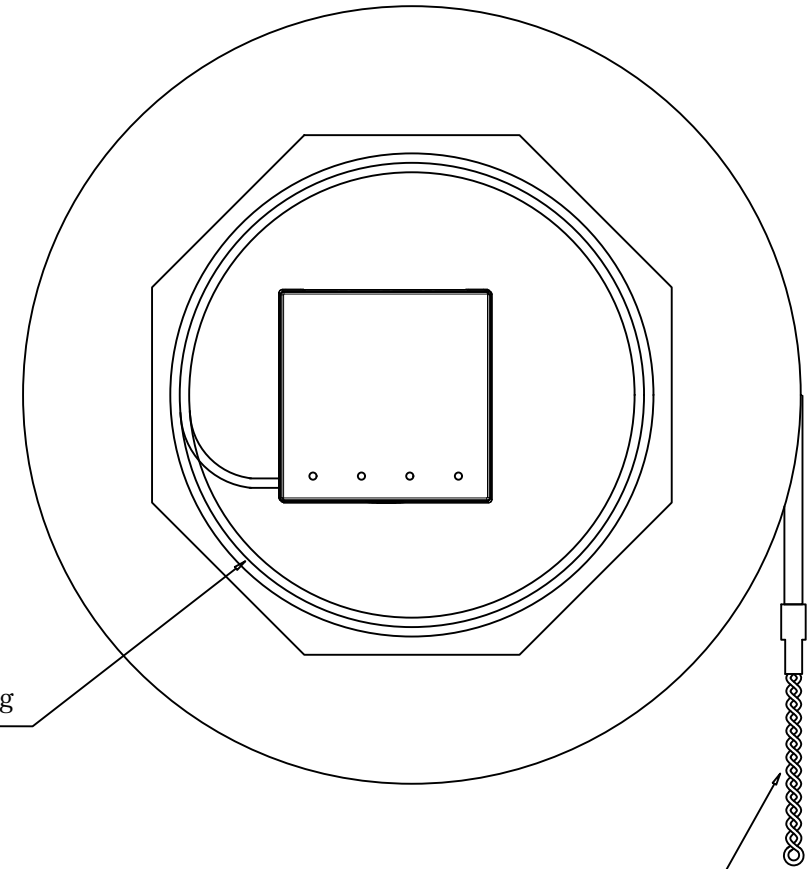
Cable tie

| | | | | | | | | | | | | | |
|----|-----|-------------------------------|--------------|--|------------|------|-----------|---------------------|---------------|------------|---------|----|--|
| | | | | | | | | | | SYNERGY21 | | | |
| | | | CUSTOMER | | AN | | ITEM NO. | | see the chart | | | | |
| | | | PRODUCT NAME | | Assemble | | | Manufacture country | | CHINA | UNIT | mm | |
| | | | NEW | | 2022-07-25 | | A | | DRAWNBY | | CHECKBY | | |
| | | | APPOBY | | DATE | | | | | | | | |
| BY | CHK | REVISION RECORD MODIFICATIONS | | | DATE | REV. | SYNERGY21 | SYNERGY21 | SYNERGY21 | 2022-07-25 | | | |

End-product drawing

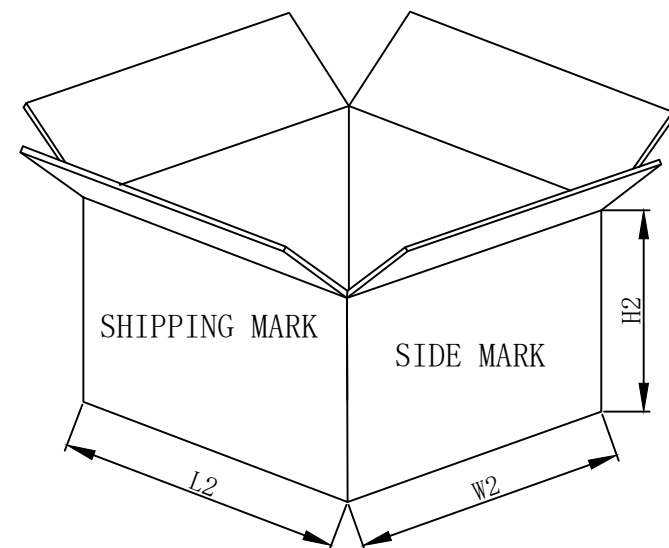
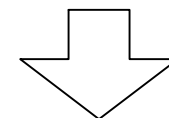
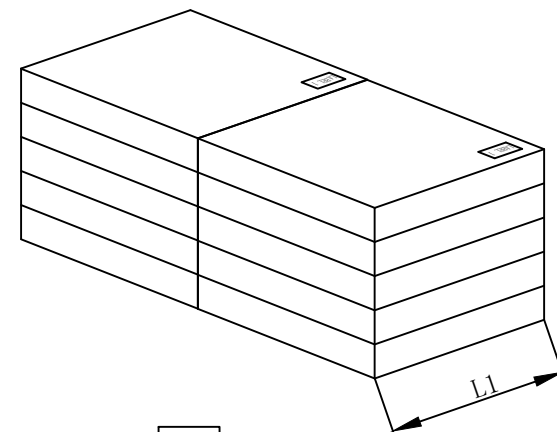
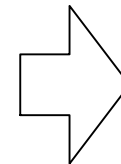
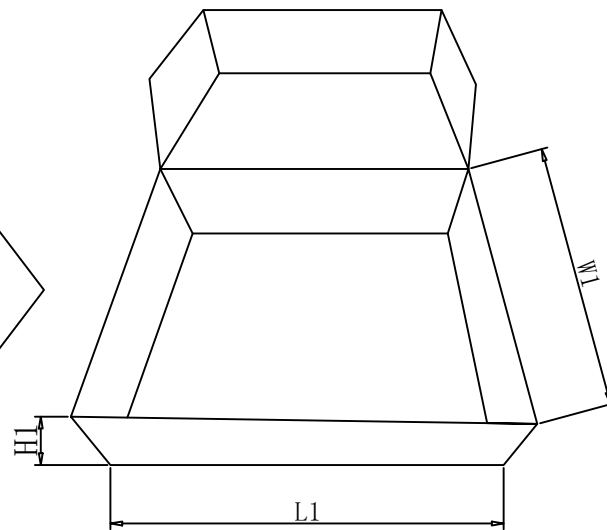
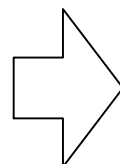
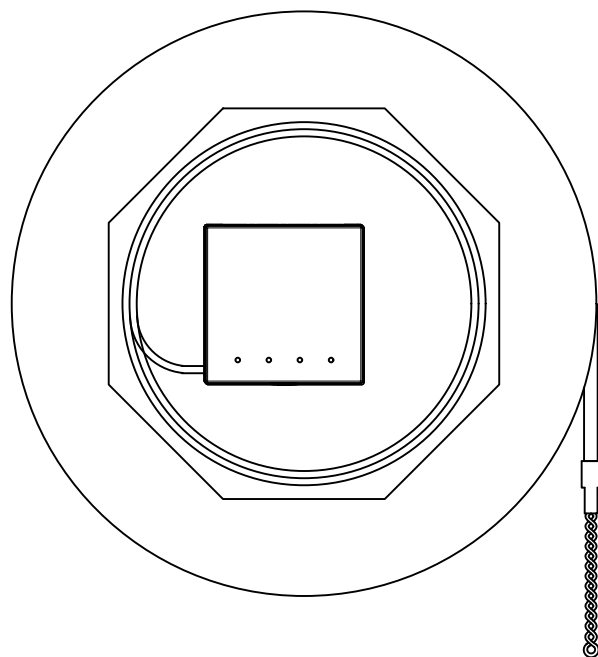


Paper shaft



Clockwise winding

| | | | | | | | | | | | | | | |
|----|-----|-------------------------------|--|------------|------|--------------|--|-----------|--|---------------------|--|---------------|------|------|
| | | | | | | | | | | SYNERGY21 | | | | |
| | | | | | | CUSTOMER | | AN | | ITEM NO. | | See the chart | | |
| | | | | | | PRODUCT NAME | | Assemble | | Manufacture country | | CHINA | UNIT | mm |
| | | NEW | | 2022-07-25 | | A | | DRAWNBY | | CHECKBY | | APPOBY | | DATE |
| BY | CHK | REVISION RECORD MODIFICATIONS | | DATE | REV. | SYNERGY21 | | SYNERGY21 | | SYNERGY21 | | 2022-07-25 | | |



| ITEM NO. | LENGTH | FIBER | Color |
|----------------|--------|----------|-------|
| S215571V2. 20m | 20M | G657. A2 | White |
| S215571V2. 40m | 40M | G657. A2 | White |
| S215571V2. 60m | 60M | G657. A2 | White |

SinglePack: 1pc/box+label; SubPack: no; Carton +labelx2;

SYNERGY21

| | | | | | | | | | | |
|----|-----|-------------------------------|-----|------------|------|--------------|-----------|---------------------|---------------|------------|
| | | | | | | CUSTOMER | AN | ITEM NO. | see the chart | |
| | | | | | | PRODUCT NAME | PACKING | Manufacture country | CHINA | UNIT mm |
| | | | NEW | 2022-07-25 | A | DRAWNBY | CHECKBY | APPOBY | DATE | |
| BY | CHK | REVISION RECORD MODIFICATIONS | | | DATE | REV. | SYNERGY21 | SYNERGY21 | SYNERGY21 | 2022-07-25 |