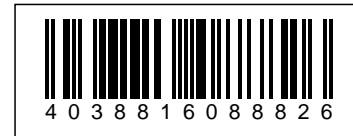
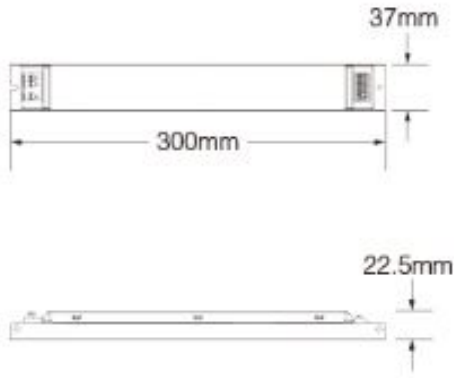


Synergy 21 LED Controller Dual White (CCT) für LED Panels 40W *Milight/Miboxer*



Product Name: 40W Color Temperature Panel Light Driver
Model No.: PL2
Input Voltage: AC180~240V 50/60Hz
Output Voltage: DC30-40V
Output Current (Constant Current): 1A
Output Power (Max): 40W
PF: >0.9
Controllable Channel: 2 Channels
Remote Control Distance: 30m
ta: 50°
tc: 85°

Weitere Bilder



2.4GHz remote control Smartphone APP control

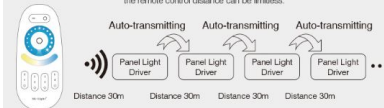
Wireless remote and smartphone control, realize the multi-functional setting
(*Need WIFI IBox or WIFI Remote for smartphone App control)

Compatible with



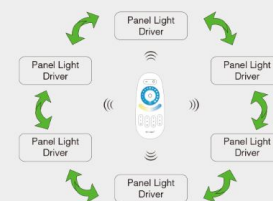
Auto-transmitting function

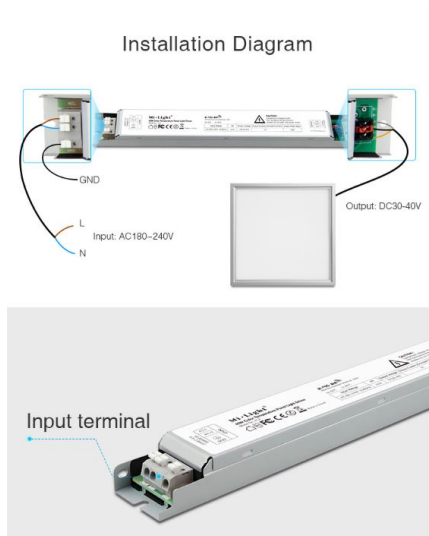
One panel light driver can transmit the signals from the remote control to another panel light driver within 30m, as long as there is a panel light driver within 30m, the remote control distance can be limitless.



Auto-synchronization function

Different panel light driver can work synchronously when they are started at different times, controlled by the same remote, under same dynamic mode and with same speed, and within 30m distance.





Zubehör

Art.-Nr.	Name
153408	Synergy 21 LED Controller DMX Transmitter *Milight/Miboxer*
153409	Synergy 21 LED Retrofit E27 9W RGB-WW Lampe DMX *Milight/Miboxer*
76730	Synergy 21 Netzteil - 12V 36W Hohlstecker