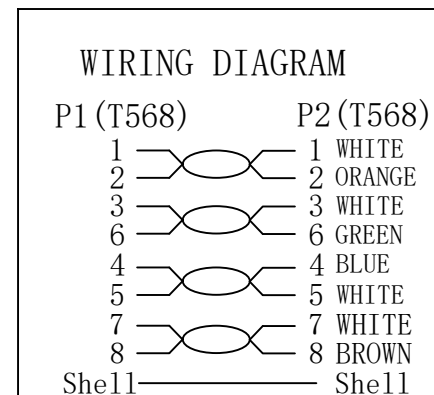


NOTE:

1. 100% OPEN SHORT, MISS WIRE TEST
2. Fluke channel test :
TEST LIMIT:ISO11801 Channel Class I(+ALL)
3. ROHS 3.0 AND REACH COMPLIANT
4. Support Support PoE ,POE+,POE++
5. Minimum of the bending radius is 60mm
6. Operating temperature:-20°C~+75°C
7. Halogen free(IEC 60754-2)



MATERIAL LIST

| | | | | |
|-------|------------|---|------------|--------|
| ③ | OVER MOLD | 75A PVC | 2 | |
| ② | CONNECTOR | RJ45 8P8C Shielded Plug, Pin Gold Plated 50U", The Shell plated nickel , Black | 2 | |
| ① | CABLE | S/FTP CAT8.1 (AWG26 BC*1P+AL-FOIL)*4PAIRS+ BRAID+ JACKET:Ultra Super Flex TPE(70A) OD:6.2±0.2mm | 1 | |
| NO. | PARTS NAME | SPECIFICATION STANDARD | QT' Y | REMARK |
| Hasia | | change "ROSH 2.0" to "ROSH 3.0" | 2022-02-25 | A1 |
| | | NEW | 2021-01-23 | A |
| BY | CHK | REVISION RECORD MODIFICATION | DATE | REV. |

| SYNERGY 21 | | | | | |
|--------------|------------------------------------|----------------------|---------------|------|----|
| CUSTOMER | | ITEM NO. | See The Chart | | |
| PRODUCT NAME | CAT 8.1 S/FTP PATCH CORD 26AWG TPE | manufacture country: | CHINA | UNIT | MM |
| DRAWN BY | CHECK BY | APPO BY | DATE | | |
| SYNERGY 21 | SYNERGY 21 | SYNERGY 21 | 2021-01-23 | | |

Chart:

| COLOR:BLACK PANTONE BLACK 3C | |
|------------------------------|-----------|
| ITEM | LENGTH/mm |
| S217410 | 150±5 |
| S217411 | 250±10 |
| S217412 | 500±15 |
| S217413 | 1000±20 |
| S217414 | 1500±30 |
| S217415 | 2000±30 |
| S217416 | 3000±50 |
| S217417 | 5000±100 |
| S217418 | 7500±200 |
| S217419 | 10000±200 |

| COLOR:WHITE RAL 9003 | |
|----------------------|-----------|
| ITEM | LENGTH/mm |
| S217420 | 150±5 |
| S217421 | 250±10 |
| S217422 | 500±15 |
| S217423 | 1000±20 |
| S217424 | 1500±30 |
| S217425 | 2000±30 |
| S217426 | 3000±50 |
| S217427 | 5000±100 |
| S217428 | 7500±200 |
| S217429 | 10000±200 |

| COLOR:GREY RAL 7035 | |
|---------------------|-----------|
| ITEM | LENGTH/mm |
| S217400 | 150±5 |
| S217401 | 250±10 |
| S217402 | 500±15 |
| S217403 | 1000±20 |
| S217404 | 1500±30 |
| S217405 | 2000±30 |
| S217406 | 3000±50 |
| S217407 | 5000±100 |
| S217408 | 7500±200 |
| S217409 | 10000±200 |

| COLOR:BLUE PANTONE 647C | |
|-------------------------|-----------|
| ITEM | LENGTH/mm |
| S217430 | 150±5 |
| S217431 | 250±10 |
| S217432 | 500±15 |
| S217433 | 1000±20 |
| S217434 | 1500±30 |
| S217435 | 2000±30 |
| S217436 | 3000±50 |
| S217437 | 5000±100 |
| S217438 | 7500±200 |
| S217439 | 10000±200 |

| COLOR:RED PANTONE 199C | |
|------------------------|-----------|
| ITEM | LENGTH/mm |
| S217440 | 150±5 |
| S217441 | 250±10 |
| S217442 | 500±15 |
| S217443 | 1000±20 |
| S217444 | 1500±30 |
| S217445 | 2000±30 |
| S217446 | 3000±50 |
| S217447 | 5000±100 |
| S217448 | 7500±200 |
| S217449 | 10000±200 |

| COLOR:GREEN PANTONE 3278C | |
|---------------------------|-----------|
| ITEM | LENGTH/mm |
| S217450 | 150±5 |
| S217451 | 250±10 |
| S217452 | 500±15 |
| S217453 | 1000±20 |
| S217454 | 1500±30 |
| S217455 | 2000±30 |
| S217456 | 3000±50 |
| S217457 | 5000±100 |
| S217458 | 7500±200 |
| S217459 | 10000±200 |

SYNERGY 21

| | | | | | | | | | | |
|----|-----|------------------------------|------------|------|--------------|------------------------------------|----------------------|---------------|------|----|
| | | | | | CUSTOMER | | ITEM NO. | See The Chart | | |
| | | | | | PRODUCT NAME | CAT 8.1 S/FTP PATCH CORD 26AWG TPE | manufacture country: | CHINA | UNIT | MM |
| | | NEW | 2021-01-23 | A | DRAWNBY | CHECKBY | APPROVE | DATE | | |
| BY | CHK | REVISION RECORD MODIFICATION | DATE | REV. | SYNERGY 21 | SYNERGY 21 | SYNERGY 21 | 2021-01-23 | | |