

NOTES:

Performance:

Meets Cat.3 EIA/TIA 568A Standard.

Electrical Specifications:

- Insulation Resistance:500M ohms (min.)
- Contact Resistance:20m ohms (max.)
- Current Rating: 1.5Amps.
- Withstanding Voltage:1000VAC RMS@60Hz/1min.

Mechanical Specifications:

- IDC Punch Down Cycle: Over 25 Cycles(min.)
- RJ-45 Jack Insertion Cycle: Over 200 Cycles(min.)

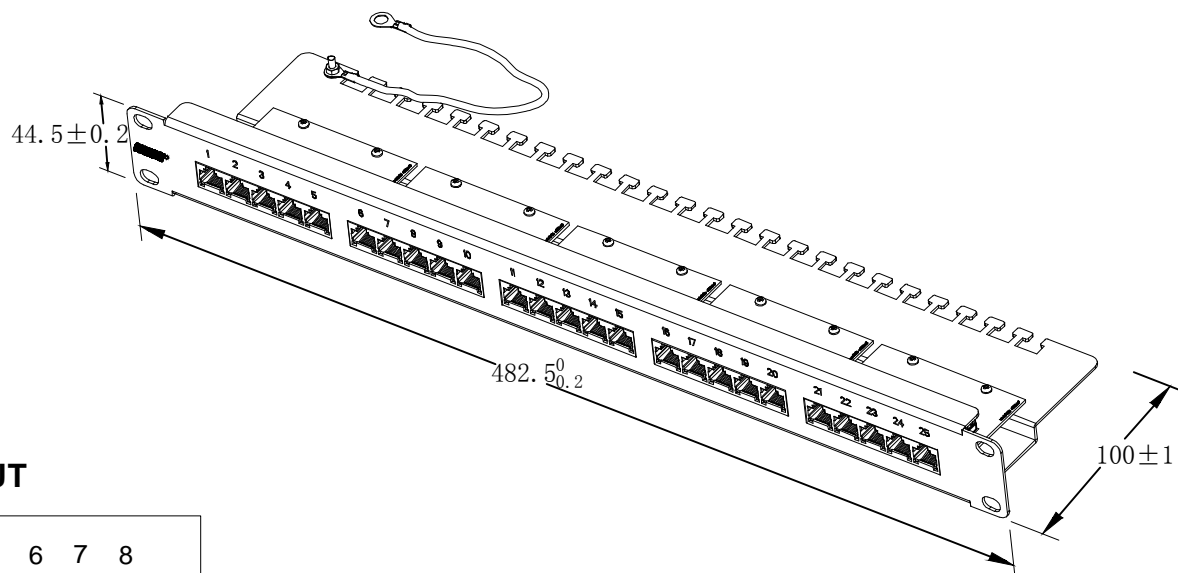
Accessory:

- 1.Cable Tie (75x2.4mm)x25PCS
2. Instruction Sheet
3. Screw and Nut M6*17mm x 4set
- 4.Silica gel 3.5g x 1PCS

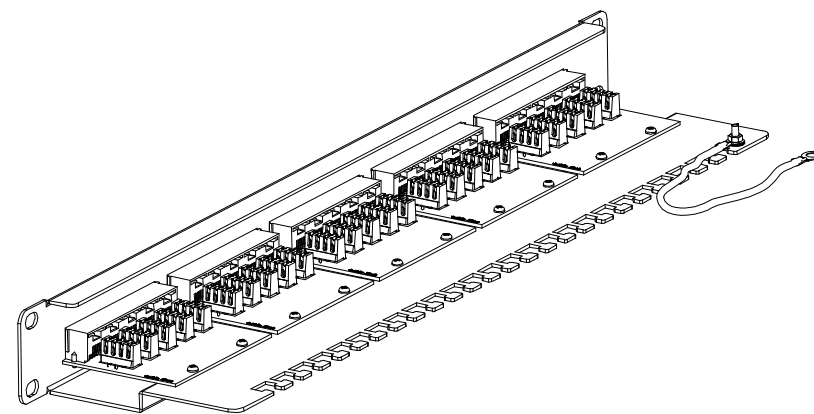
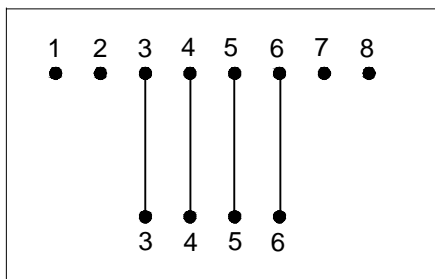
Color: GRAY RAL7035

PACKING: 1pcs/box+user guide+Label

1,10pcs/Carton+Label 1
ROHS2.0 and REACH COMPLIANT



PIN OUT

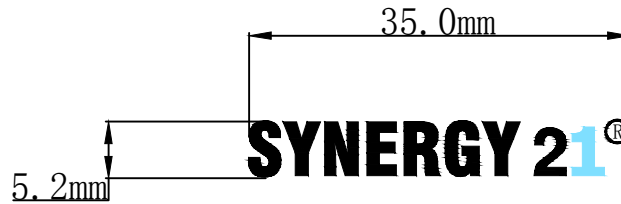
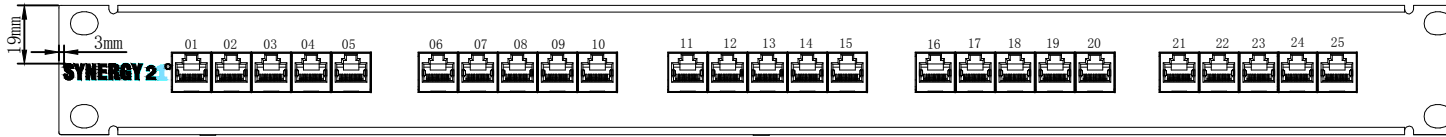


MATERIAL LIST:

⑥	Bottom Panel:	1.5mm thickness Metallic Panel (SECC) GRAY RAL 7035	1	
⑤	RJ-45 Jack:	Housing-PBT/UTP RJ 45-Jacks UL-94V0	25	
④	PCB	FR-4/1.6mm UL-94V0	5	
③	IDC Body	Fireproof PC/ABS UL-94V0	25	
②	IDC Pin	Bronze & Tinned	100	
①	IDC Terminal	For 22-26 AWG Cable	100	
	PARTS NAME	SPECIFICATION STANDARD	QT'Y	REMARK

		UPDATE PACKING TYPE		2018-03-20	A2	CUSTOMER		ITEM NO:		S215200	
		UPDATE LOGO		2013-10-23	A1	PRODUCT NAME	CAT.3 PATCH PANEL 25PORT	manufacture country:	CHINA	UNIT	MM
		NEW		2010-10-27	A	DRAWNBY		CHECKBY		APPOBY	
BY	CHK	REVISION RECORD MODIFICATIONS			DATE	REV.	SYNERGY 21	SYNERGY 21	SYNERGY 21	2018-03-20	

SYNERGY 21

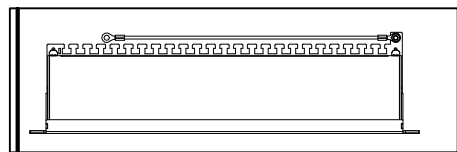


PATCH PANEL COLOR : GRAY

"SYNERGY 2" for black printing The pantone of Color is black c

"1" for blue printing The pantone of Color is 298C

					SYNERGY 21					
		UPDATE PACKING TYPE	2018-03-20	A2	CUSTOMER		REF.		ITEM NO.	S215200
		UPDATE LOGO	2013-10-23	A1	PRODUCT NAME	CAT. 3 PATCH PANEL 25PORT	manufacture country:	CHINA	UNIT	MM
		NEW	2010-10-27	A	DRAWNBY	CHECKBY	APPOBY	DATE		
BY	CHK	REVISION RECORD MODIFICATIONS	DATE	REV.	SYNERGY 21	SYNERGY 21	SYNERGY 21	2018-03-20		



1PCS / PE BAG

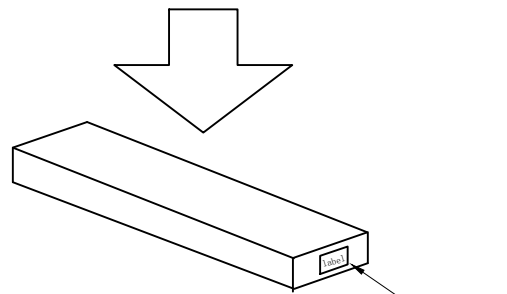
SHIPPING MARK



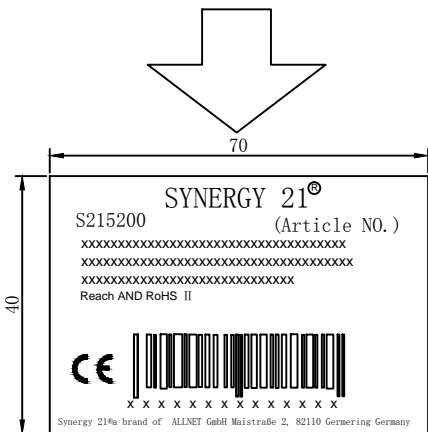
PO NO. :
REACH and ROHS 2.0 Compliant
MADE IN CHINA

SIDE MARK

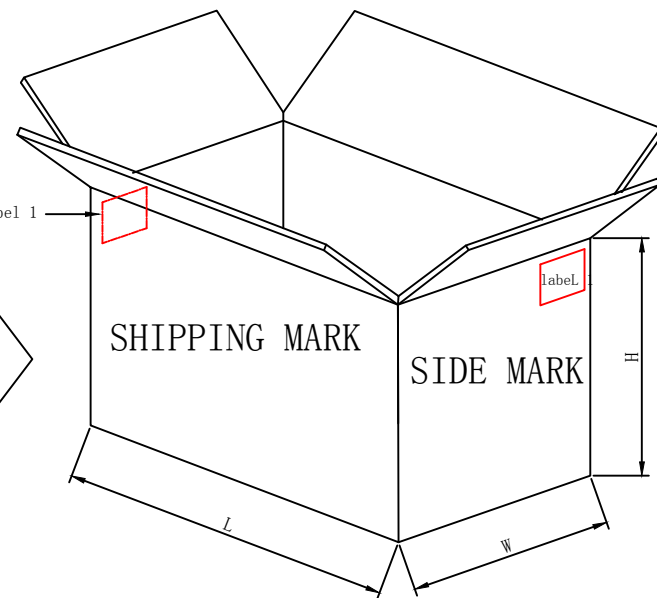
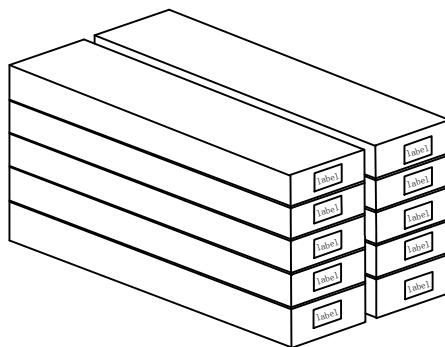
PO NO. :
Item no:
Q' TY:
N. W
G. W
Carton no.
MEAS.



1pcs/box+user guide+Label 1



Label 1



10pcs/Carton+Label 1

NOTE:

1. Packing: 1pcs/box+user guide+Label 1, 10pcs/Carton+Label 1
2. “工” type sealing
3. “井” type packaging

SYNERGY 21										
CUSTOMER			ITEM NO.			S215200				
PRODUCT NAME		PACKING		MANUFACTURE COUNTRY:		CHINA		UNIT		MM
DRAWNBY			CHECKBY			APPOBY		DATE		
BY		CHK		SYNERGY 21		SYNERGY 21		SYNERGY 21		2018-03-20

UPDATE PACKING TYPE			2018-03-20		A2	
NEW						
REVISION RECORD MODIFICATIONS			DATE		REV.	