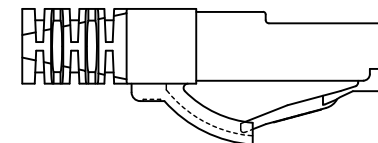
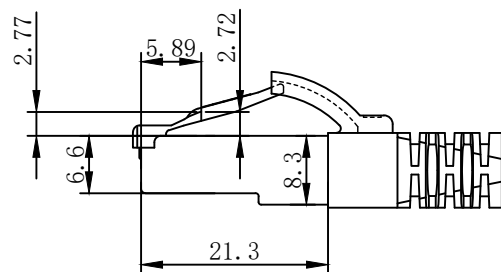




CAT. 5E/Class D SF/UTP 26AWG×4P PVC PATCH ISO/IEC 11801 & EN 50173 VERIFIED www.Synergy21.de **CE**



PIN OUT



NOTE:

- Electrical test:
 - 100% open short & miss wire test;
 - Insulation resistance:DC 300V 3MΩ ;
 - Contact resistance:15Ω ;
- ROHS 3.0 AND REACH COMPLIANT
- Operating temperature:-20℃~+60℃
- Fluke Channel Test ISO 11801 Channel Class D
- Minimum of the bending radius is 60mm

MATERIAL LIST:

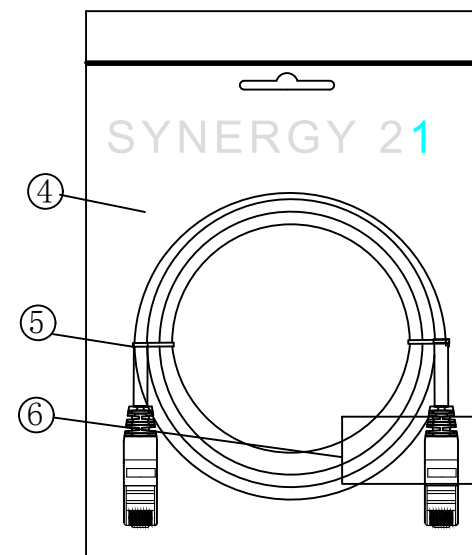
⑥	LABEL	NO DRY GLUE LABEL	1	
⑤	MINI TIE	PE MINI TIE(POSSESS METAL)	2	
④	POLYETHYLENE BAG	SYNERGY 21 SLIP PE BAG	1	
③	CABLE	SF/UTP CAT. 5e 26AWG (CCA)*4PAIRS+DRAIN+AL-FOIL +BRAID(AL-MG), CABLE JACKET: PVC OD=5.7±0.2mm	1	
②	Over mold	80A PVC ,COLOR:SEE THE CHART	2	
①	CONNECTOR	RJ45 8P8C'S SHIELDED THE SHELL PLATED NICKEL , PIN GOLD PLATED 3u"	2	
NO.	PARTS NAME	SPECIFICATION STANDARD	QT' Y	REMARK

Hasia		change "ROSH 2.0" to "ROSH 3.0"	2022-02-25	A4
		Change Print Word	2021-01-27	A3
		Increase the minimum bend radius	2018-11-30	A2
		Change Over mold	2018-08-31	A1
		ADD "CE" MARK IN THE PRINT	2016-01-08	A
BY	CHK	REVISION RECORD MODIFICATIONS	DATE	REV.

SYNERGY 21				
CUSTOMER NO.		ITEM NO.		SEE THE CHART
PRODUCT NAME	CAT. 5e/Class D SF/UTP PVC	manufacture country:	CHINA	UNIT MM
DRAWNBY		CHECKBY	APPOBY	DATE
SYNERGY 21	SYNERGY 21	SYNERGY 21	SYNERGY 21	2016-01-08

CHART

COLOR:GREY(PANTONE 421C)		
ITEM NO.	LENGTH	PACKING
S215100	250±30	SYNERGY 21 BAG A
S215107	500±30	SYNERGY 21 BAG A
S215114	1000±30	SYNERGY 21 BAG A
S215120	1500±50	SYNERGY 21 BAG A
S215127	2000±50	SYNERGY 21 BAG A
S215134	3000±70	SYNERGY 21 BAG A
S215141	5000±70	SYNERGY 21 BAG B
S215148	7500±150	SYNERGY 21 BAG B
S215155	10000±200	SYNERGY 21 BAG B
S215162	15000±200	SYNERGY 21 BAG C
S215169	20000±300	SYNERGY 21 BAG C
S215175	25000±300	SYNERGY 21 BAG C
S215181	30000±300	SYNERGY 21 BAG D
S215198	40000±400	SYNERGY 21 BAG D
S215199	50000±400	SYNERGY 21 BAG D



					SYNERGY 21					
					CUSTOMER NO.			ITEM NO.	SEE THE CHART	
					PRODUCT NAME	CAT.5e/Class D SF/UTP PVC	manufacture country:	CHINA	UNIT	MM
						DRAWNBY	CHECKBY	APPOBY	DATE	
BY	CHK		NEW	2009-04-21	A	SYNERGY 21	SYNERGY 21	SYNERGY 21	2012-08-06	
			REVISION RECORD MODIFICATIONS	DATE	REV.					