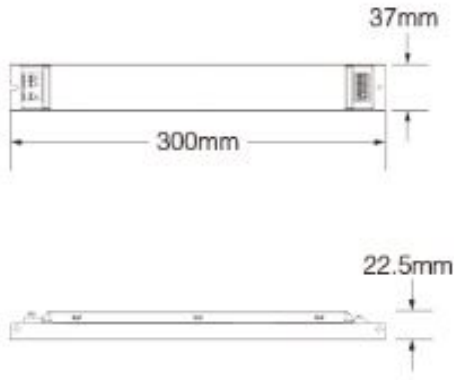


Synergy 21 Controlador LED para Panel LED 40W *Milight*



Driver 40W
Modelo.: PL2
Voltaje de entrada: AC180~240V 50/60Hz
Voltaje de salida: DC30-40V
Corriente de salida (Corriente constante): 1A
Potencia de salida (Max): 40W
PF: >0.9
Canales: 2
Distancia control remoto: 30m
ta: 50°
tc: 85°

Imágenes adicionales



2.4GHz remote control Smartphone APP control

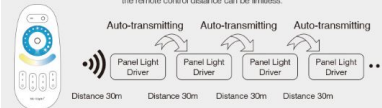
Wireless remote and smartphone control, realize the multi-functional setting
 (*Need WIFI IBox or WIFI Remote for smartphone App control)

Compatible with



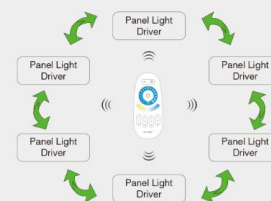
Auto-transmitting function

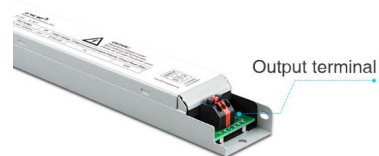
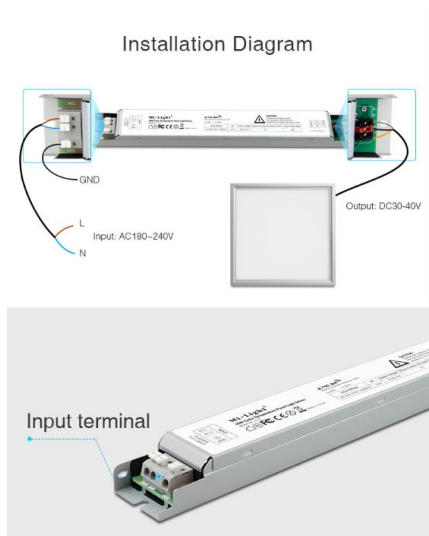
One panel light driver can transmit the signals from the remote control to another panel light driver within 30m, as long as there is a panel light driver within 30m, the remote control distance can be limitless.



Auto-synchronization function

Different panel light driver can work synchronously when they are started at different times, controlled by the same remote, under same dynamic mode and with same speed, and within 30m distance.





Accesorios

Número de artículo	Denominación
153408	Synergy 21 LED Controller DMX Transmitter *Milight/Miboxer*
153409	Synergy 21 LED Retrofit E27 9W RGB-WW Lampe DMX *Milight/Miboxer*
76730	Synergy 21 Alimentación 12V/36W/3A